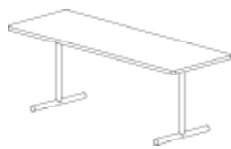
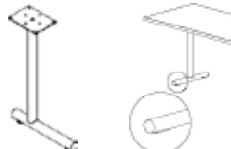


Add 3% List to all prices

Fixed T base, Rectangle Top



Triumph Base Options



Cantilever Concealed Caster



Spring Clip Height Adjustment Electric/Hand Crank Height Adjustment

Size	Bases	Weight	Model code	LAMINATE				VENEER	
				T-mold (-LTM)	Self Edge (-LSE)	3mm PVC (-LVE)	1-1/4" x 1-1/4" Wood edges (-LWE1)	Self edge (-VSE)	1-1/4" x 1-1/4" Wood edges (-VWE1)
18x48	2	51.0	1TKP148-	\$566	\$609	\$604	\$1,223	\$813	\$1,402
18x54	2	54.5	1TKP154-	\$595	\$636	\$633	\$1,272	\$950	\$1,568
18x60	2	72.0	1TKP160-	\$597	\$636	\$637	\$1,292	\$965	\$1,589
18x72*	2	64.5	1TKP172-	\$723	\$760	\$767	\$1,459	\$1,109	\$1,749
18x84*	2	71.0	1TKP184-	\$780	\$839	\$825	\$1,561	\$1,173	\$1,829
18x96*	2	78.0	1TKP196-	\$858	\$856	\$851	\$1,586	\$1,191	\$1,857
24x30	2	49.0	1TKP230-	\$546	\$592	\$581	\$1,170	\$787	\$1,362
24x36	2	53.0	1TKP236-	\$565	\$610	\$601	\$1,212	\$806	\$1,389
24x42	2	58.0	1TKP242-	\$584	\$575	\$621	\$1,253	\$844	\$1,429
24x48	2	62.0	1TKP248-	\$603	\$644	\$641	\$1,297	\$862	\$1,462
24x54	2	66.5	1TKP254-	\$638	\$679	\$677	\$1,358	\$1,005	\$1,636
24x60	2	71.0	1TKP260-	\$640	\$679	\$681	\$1,380	\$1,024	\$1,661
24x72*	2	80.0	1TKP272-	\$773	\$809	\$817	\$1,561	\$1,175	\$1,830
24x84*	2	89.0	1TKP284-	\$844	\$903	\$888	\$1,685	\$1,251	\$1,926
24x96*	2	98.0	1TKP296-	\$922	\$920	\$914	\$1,717	\$1,275	\$1,961
24x120	3	129.0	1TKP220-	\$1,042	\$1,004	\$1,009	\$1,929	\$2,105	\$3,107
30x36	2	62.0	1TKP336-	\$600	\$644	\$637	\$1,277	\$957	\$1,572
30x42	2	67.0	1TKP342-	\$644	\$669	\$680	\$1,352	\$1,024	\$1,615
30x48	2	73.0	1TKP348-	\$646	\$687	\$685	\$1,379	\$1,008	\$1,658
30x54	2	78.5	1TKP354-	\$690	\$730	\$728	\$1,453	\$1,282	\$1,969
30x60	2	84.0	1TKP360-	\$692	\$730	\$732	\$1,479	\$1,303	\$1,998
30x72*	2	96.0	1TKP372-	\$834	\$869	\$876	\$1,677	\$1,466	\$2,178
30x84*	2	107.0	1TKP384-	\$921	\$980	\$963	\$1,825	\$1,555	\$2,293
30x96*	2	118.0	1TKP396-	\$1,000	\$997	\$989	\$1,862	\$1,584	\$2,334
30x120	3	154.5	1TKP320-	\$1,140	\$1,102	\$1,104	\$2,112	\$2,642	\$3,527
36x42	2	79.0	1TKP442-	\$834	\$886	\$870	\$1,528	\$1,215	\$1,855
36x48	2	86.0	1TKP448-	\$846	\$886	\$884	\$1,618	\$1,238	\$1,887
36x54	2	92.8	1TKP454-	\$901	\$940	\$938	\$1,710	\$1,507	\$2,210
36x60	2	100.0	1TKP460-	\$903	\$940	\$942	\$1,739	\$1,531	\$2,241
36x72*	2	113.0	1TKP472-	\$1,056	\$1,091	\$1,096	\$1,954	\$1,707	\$2,440
36x84*	2	126.5	1TKP484-	\$1,166	\$1,225	\$1,204	\$2,136	\$1,818	\$2,579
36x96*	2	140.0	1TKP496-	\$1,244	\$1,242	\$1,231	\$2,179	\$1,853	\$2,626
36x120	3	183.0	1TKP420-	\$1,484	\$1,447	\$1,443	\$2,543	\$3,233	\$4,819

*Indicate price includes anti-sag bar

Triumph T Base Options
(all options per base)

- PC blackStandard
- PC Grade 1\$40
- PC Grade 2\$87
- Chrome charge\$118

- Casters\$36

- Taller charge\$99
- Shorter charge\$75



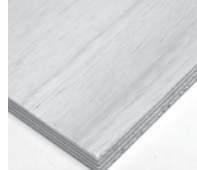


- Spring Clip\$51
- Hand Crank ..Call for pricing
- PowerCall for pricing

- Concealed Wheel\$125
- C-base\$26

Extras

- Metal Modesty Panel (Perforated)
 - 36".....\$162
 - 48".....\$172
 - 60".....\$196
 - 72".....\$216
- Metal Modesty Panel (Plain)
 - 36".....\$159
 - 48".....\$170
 - 60".....\$196
 - 72".....\$205
- Fabric Modesty Panel
 - 36".....\$180
 - 48".....\$189
 - 60".....\$200
 - 72".....\$211
- Laminate Modesty Panel
 - 36".....\$254
 - 48".....\$273
 - 60".....\$291
 - 72".....\$318
- Modesty Panel Wire Raceway\$162
(only available for metal panels)
- Nesting Modesty Panel Brackets.....\$115
- Anti-Sag bar\$96 CPU holder....\$104
- Custom cut out\$210 Custom stain.\$445
- Flat plate\$25 Grommet.....\$60
- Table locks ..\$116 Click-Catch Locks ...\$28
- Metal insert...\$50
- Self-adjusting glides\$40
- Undertable Wire management\$75
- Vertical Wire management\$25

Work Surface Material Options

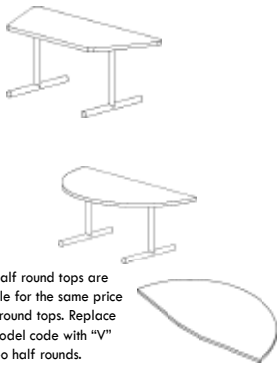
<p>Thermofoil</p>  <p>Same Price as T-Mold Add \$180 list per order for boat, racetrack & telewedge tops</p>	<p>Marmoleum</p>  <p>Add \$11 list per square foot to Laminate Pricing</p>	<p>Lightweight</p>  <p>Add \$14 list per square foot</p>	<p>Bamboo</p>  <p>See page 95 for pricing</p>	<p>Cambria</p>  <p>Add \$165 list per square foot to 3mm Laminate Pricing</p>
--	--	--	---	--

Triumph Collection

Fixed T Base, Trapeziod and Half Round Top

Training and Meeting Tables

Add 3% List to all prices



Video half round tops are available for the same price as half round tops. Replace "J" in model code with "V" for video half rounds.

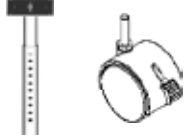
Size	Bases	Weight	Model code	LAMINATE				VENEER	
				T-mold (-LTM)	Self Edge (-LSE)	3mm PVC (-LVE)	1-1/4" x 1-1/4" Wood edges (-LWE1)	Self edge (-VSE)	1-1/4" x 1-1/4" Wood edges (-VWE1)
24x60	2	58.0	1TKU260-	\$714	\$751	\$747	\$1,464	\$1,366	\$2,072
24x72*	2	66.0	1TKU272-	\$848	\$881	\$882	\$1,645	\$1,518	\$2,241
30x60	2	64.0	1TKU360-	\$808	\$845	\$838	\$1,613	\$1,934	\$2,755
30x72*	2	74.0	1TKU372-	\$931	\$941	\$942	\$1,749	\$2,127	\$2,917
24x48	2	54.0	1TKJ248-	\$677	\$900	\$886	\$1,547	\$1,094	\$1,742
30x60	2	72.0	1TKJ360-	\$766	\$986	\$978	\$1,719	\$1,414	\$2,130
36x72	2	95.0	1TKJ472-	\$1,130	\$1,362	\$1,342	\$2,202	\$1,945	\$2,745

*Indicates price includes anti-sag bar

Fixed X Base, Square Top



Triumph X Base Options



Spring Clip Height Adjustment Casters

Size	Bases	Weight	Model code	LAMINATE				VENEER	
				T-mold (-LTM)	Self Edge (-LSE)	3mm PVC (-LVE)	1-1/4" x 1-1/4" Wood edges (-LWE1)	Self edge (-VSE)	1-1/4" x 1-1/4" Wood edges (-VWE1)
24x24	1	41.0	1TRR924-	\$409	\$456	\$445	\$1,003	\$566	\$1,111
30X30	1	52.0	1TRR930-	\$495	\$540	\$531	\$1,147	\$843	\$1,447
36x36	1	69.0	1TRR936-	\$595	\$638	\$632	\$1,305	\$965	\$1,591
42x42	1	83.0	1TRR942-	\$709	\$737	\$731	\$1,480	\$1,060	\$1,712
48x48	1	102.0	1TRR948-	\$754	\$779	\$782	\$1,589	\$1,159	\$1,828
60X60	1	143.0	1TRR960-	\$988	\$934	\$940	\$1,916	\$1,783	\$2,585

Triumph X Base Options (all options per base)

- PC blackStandard
- PC Grade 1\$53
- PC Grade 2\$95
- Chrome charge\$185
- Casters\$105
- Bar Height charge .\$.50
- Taller charge\$175
- Shorter charge\$125
- Spring Clip\$249
- Double Column Nester \$833
- Hand Crank ..Call

Fixed X Base, Round Top



Triumph X Base Options

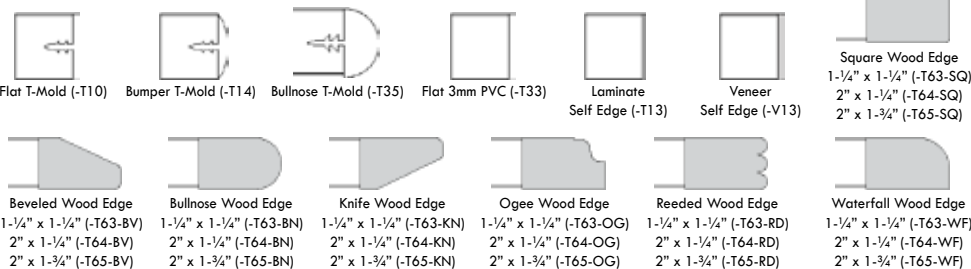


Spring Clip Height Adjustment Casters Double Nester

Size	Bases	Weight	Model code	LAMINATE				VENEER	
				T-mold (-LTM)	Self Edge (-LSE)	3mm PVC (-LVE)	1-1/4" x 1-1/4" Wood edges (-LWE1)	Self edge (-VSE)	1-1/4" x 1-1/4" Wood edges (-VWE1)
24	1	37.0	1TRQ924-	\$393	\$636	\$603	\$1,192	\$734	\$1,246
30	1	46.0	1TRQ930-	\$479	\$720	\$687	\$1,336	\$1,007	\$1,582
36	1	56.0	1TRQ936-	\$536	\$776	\$744	\$1,453	\$1,085	\$1,682
42	1	71.0	1TRQ942-	\$690	\$930	\$896	\$1,686	\$1,233	\$1,863
48	1	87.0	1TRQ948-	\$735	\$972	\$944	\$1,792	\$1,329	\$1,978
54	1	102.0	1TRQ954-	\$889	\$1,128	\$1,093	\$2,042	\$1,888	\$2,649
60	1	118.0	1TRQ960-	\$892	\$1,128	\$1,099	\$2,120	\$1,951	\$2,737
72*	1	166.0	1TRQ972-	\$1,599	\$1,752	\$1,792	\$3,052	\$3,008	\$4,761

*Indicates price includes four-post X base

Edge Options

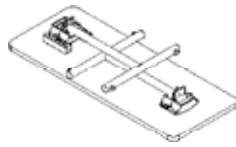


Extras

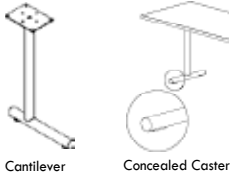
- Metal Modesty Panel (Perforated)
 - 36".....\$162
 - 48".....\$172
 - 60".....\$196
 - 72".....\$216
- Metal Modesty Panel (Plain)
 - 36".....\$159
 - 48".....\$170
 - 60".....\$196
 - 72".....\$205
- Fabric Modesty Panel
 - 36".....\$180
 - 48".....\$189
 - 60".....\$200
 - 72".....\$211
- Laminate Modesty Panel
 - 36".....\$254
 - 48".....\$273
 - 60".....\$291
 - 72".....\$318
- Modesty Panel Wire Raceway\$162 (only available for metal panels)
- Nesting Modesty Panel Brackets..\$115
- Anti-Sag bar\$96 CPU holder..\$104
- Custom cut out ..\$210 Custom Stain..\$445
- Flat plate\$25 Grommet.....\$60
- Table locks ..\$116
- Click-Catch Locks ...\$28
- Metal insert...\$50
- Self-adjusting glides\$40
- Undertable Wire management\$75
- Vertical Wire management\$25

Add 3% List to all prices

Folding T base, Rectangle Top

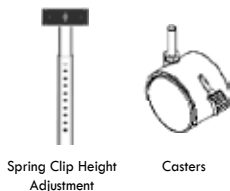


Triumph Folding Base Options



Cantilever

Concealed Caster



Spring Clip Height Adjustment

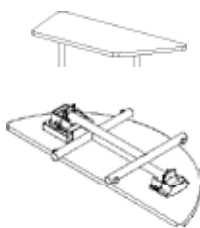
Castors

Size	Bases	Weight	Model code	LAMINATE				VENEER	
				T-mold (-LTM)	Self Edge (-LSE)	3mm PVC (-LVE)	1-1/4" x 1-1/4" Wood edges (-LWE1)	Self edge (-VSE)	1-1/4" x 1-1/4" Wood edges (-VWE1)
18x48**	2	56.0	1TLP148-	\$914	\$957	\$952	\$1,571	\$1,161	\$1,750
18x54**	2	59.5	1TLP154-	\$943	\$984	\$981	\$1,620	\$1,298	\$1,916
18x60	2	77.0	1TLP160-	\$797	\$836	\$837	\$1,492	\$1,165	\$1,789
18x72*	2	69.5	1TLP172-	\$923	\$960	\$967	\$1,659	\$1,309	\$1,949
18x84*	2	76.0	1TLP184-	\$980	\$1,039	\$1,025	\$1,761	\$1,373	\$2,029
18x96*	2	83.0	1TLP196-	\$1,058	\$1,056	\$1,051	\$1,785	\$1,391	\$2,057
24x30**	2	54.0	1TLP230-	\$898	\$944	\$933	\$1,522	\$1,139	\$1,714
24x36**	2	58.0	1TLP236-	\$917	\$962	\$953	\$1,564	\$1,158	\$1,741
24x42**	2	63.0	1TLP242-	\$936	\$927	\$973	\$1,605	\$1,196	\$1,781
24x48**	2	67.0	1TLP248-	\$955	\$996	\$993	\$1,649	\$1,214	\$1,814
24x54**	2	71.5	1TLP254-	\$990	\$1,031	\$1,029	\$1,710	\$1,357	\$1,988
24x60	2	76.0	1TLP260-	\$844	\$883	\$885	\$1,584	\$1,228	\$1,865
24x72*	2	85.0	1TLP272-	\$977	\$1,013	\$1,021	\$1,765	\$1,379	\$2,034
24x84*	2	94.0	1TLP284-	\$1,048	\$1,107	\$1,092	\$1,889	\$1,455	\$2,130
24x96*	2	103.0	1TLP296-	\$1,126	\$1,124	\$1,130	\$1,921	\$1,479	\$2,165
30x36**	2	67.0	1TLP336-	\$970	\$1,014	\$1,007	\$1,647	\$1,327	\$1,942
30x42**	2	72.0	1TLP342-	\$1,014	\$1,039	\$1,050	\$1,722	\$1,394	\$1,985
30x48**	2	78.0	1TLP348-	\$1,016	\$1,057	\$1,055	\$1,749	\$1,378	\$2,028
30x54**	2	83.5	1TLP354-	\$1,060	\$1,100	\$1,098	\$1,823	\$1,652	\$2,339
30x60	2	89.0	1TLP360-	\$914	\$952	\$954	\$1,701	\$1,525	\$2,220
30x72*	2	101.0	1TLP372-	\$1,056	\$1,091	\$1,098	\$1,899	\$1,688	\$2,400
30x84*	2	112.0	1TLP384-	\$1,143	\$1,202	\$1,185	\$2,047	\$1,777	\$2,515
30x96*	2	123.0	1TLP396-	\$1,252	\$1,249	\$1,211	\$2,084	\$1,806	\$2,556

*Indicates price includes anti-sag bar
**Indicates price includes riser bracket

Modesty panels on folding tables require nesting modesty panel brackets

Folding T Base, Trapezoid and Half Round Top



Video half round tops are available for the same price as half round tops. Replace "J" in model code with "V" for video half rounds.

Size	Bases	Weight	Model code	LAMINATE				VENEER	
				T-mold (-LTM)	Self Edge (-LSE)	3mm PVC (-LVE)	1-1/4" x 1-1/4" Wood edges (-LWE1)	Self edge (-VSE)	1-1/4" x 1-1/4" Wood edges (-VWE1)
24x60	2	63.0	1TLU260-	\$918	\$955	\$951	\$1,668	\$1,570	\$2,276
24x72*	2	71.0	1TLU272-	\$1,052	\$1,085	\$1,086	\$1,849	\$1,722	\$2,445
30x60	2	69.0	1TLU360-	\$1,030	\$1,067	\$1,060	\$1,835	\$2,156	\$2,977
30x72*	2	79.0	1TLU372-	\$1,153	\$1,163	\$1,164	\$1,971	\$2,349	\$3,139
24x48**	2	59.0	1TLJ248-	\$1,029	\$1,252	\$1,238	\$1,899	\$1,446	\$2,094
30x60**	2	77.0	1TLJ360-	\$1,136	\$1,356	\$1,348	\$2,089	\$1,784	\$2,500

*Indicates price includes anti-sag bar
**Indicates price includes riser bracket

Modesty panels on folding tables require nesting modesty panel brackets

Triumph Folding Base Options
(all options per base)

PC BlackStandard
PC Grade 1\$40
PC Grade 2\$87
Chrome charge\$94

Castors\$67

Taller charge\$99
Shorter charge\$75

Spring Clip\$151

Concealed Wheel\$125
C-base\$36
Riser bracket\$148

Extras

Metal Modesty Panel (Perforated)
• 36".....\$162 • 48".....\$172
• 60".....\$196 • 72".....\$216

Metal Modesty Panel (Plain)
• 36".....\$159 • 48".....\$170
• 60".....\$196 • 72".....\$205

Fabric Modesty Panel
• 36".....\$180 • 48".....\$189
• 60".....\$200 • 72".....\$211

Laminate Modesty Panel
• 36".....\$254 • 48".....\$273
• 60".....\$291 • 72".....\$318

Modesty Panel Wire Raceway\$162
(only available for metal panels)
Nesting Modesty Panel Brackets.....\$115

Anti-Sag bar\$96 CPU holder....\$104

Custom cut out\$210 Custom stain.\$445

Flat plate\$25 Grommet.....\$60

Table locks ..\$116 Click-Catch Locks ...\$28

Metal insert...\$50

Self-adjusting glides\$40
Undertable Wire management\$75
Vertical Wire management\$25

Work Surface Material Options

Thermofoil



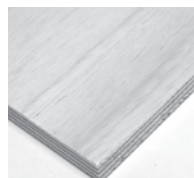
Same Price as T-Mold
Add \$180 list per order
for boat, racetrack & telewedge tops

Marmoleum



Add \$11 list
per square foot to
Laminate Pricing

Lightweight



Add \$14 list
per square foot

Bamboo



See page 95
for pricing

Cambria



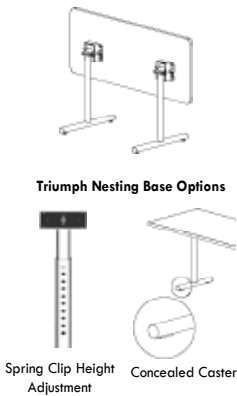
Add \$165 list
per square foot to
3mm Laminate Pricing

Triumph Collection

Nesting T base, Rectangle Top

Training and Meeting Tables

Add 3% List to all prices



Size	Bases	Weight	Model code	LAMINATE				VENEER	
				T-mold (-LTM)	Self Edge (-LSE)	3mm PVC (-LVE)	1-1/4" x 1-1/4" Wood edges (-LWE1)	Self edge (-VSE)	1-1/4" x 1-1/4" Wood edges (-VWE1)
18x48	2	56.0	1TOP148-	\$1,014	\$1,057	\$1,052	\$1,671	\$1,261	\$1,850
18x54	2	59.5	1TOP154-	\$1,043	\$1,084	\$1,081	\$1,720	\$1,398	\$2,016
18x60	2	77.0	1TOP160-	\$1,045	\$1,084	\$1,085	\$1,740	\$1,413	\$2,037
18x72*	2	69.5	1TOP172-	\$1,171	\$1,208	\$1,215	\$1,907	\$1,557	\$2,197
18x84*	2	76.0	1TOP184-	\$1,228	\$1,287	\$1,273	\$2,009	\$1,621	\$2,277
18x96*	2	83.0	1TOP196-	\$1,306	\$1,304	\$1,299	\$2,033	\$1,639	\$2,305
24x30	2	54.0	1TOP230-	\$994	\$1,040	\$1,029	\$1,618	\$1,235	\$1,810
24x36	2	58.0	1TOP236-	\$1,013	\$1,058	\$1,049	\$1,660	\$1,254	\$1,837
24x42	2	63.0	1TOP242-	\$1,032	\$1,023	\$1,069	\$1,701	\$1,292	\$1,877
24x48	2	67.0	1TOP248-	\$1,051	\$1,092	\$1,089	\$1,745	\$1,310	\$1,910
24x54	2	71.5	1TOP254-	\$1,086	\$1,127	\$1,125	\$1,806	\$1,453	\$2,084
24x60	2	76.0	1TOP260-	\$1,088	\$1,127	\$1,129	\$1,828	\$1,472	\$2,109
24x72*	2	85.0	1TOP272-	\$1,221	\$1,257	\$1,265	\$2,009	\$1,623	\$2,278
24x84*	2	94.0	1TOP284-	\$1,292	\$1,351	\$1,336	\$2,133	\$1,699	\$2,374
24x96*	2	103.0	1TOP296-	\$1,370	\$1,368	\$1,362	\$2,165	\$1,723	\$2,409
30x36	2	67.0	1TOP336-	\$1,048	\$1,092	\$1,085	\$1,725	\$1,405	\$2,020
30x42	2	72.0	1TOP342-	\$1,092	\$1,117	\$1,128	\$1,800	\$1,472	\$2,063
30x48	2	78.0	1TOP348-	\$1,094	\$1,135	\$1,133	\$1,827	\$1,456	\$2,106
30x54	2	83.5	1TOP354-	\$1,138	\$1,178	\$1,176	\$1,901	\$1,730	\$2,417
30x60	2	89.0	1TOP360-	\$1,140	\$1,178	\$1,180	\$1,927	\$1,751	\$2,446
30x72*	2	101.0	1TOP372-	\$1,282	\$1,317	\$1,324	\$2,125	\$1,914	\$2,626
30x84*	2	112.0	1TOP384-	\$1,369	\$1,428	\$1,411	\$2,273	\$2,003	\$2,741
30x96*	2	123.0	1TOP396-	\$1,448	\$1,445	\$1,437	\$2,310	\$2,032	\$2,782

*Indicates price includes anti-sag bar
All nesting table prices include casters

Modesty panels on nesting tables require nesting modesty panel brackets

Triumph Nesting Base Options
(all options per base)

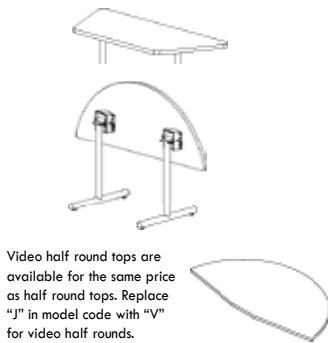
PC BlackStandard
PC Grade 1 ..Standard
PC Grade 2\$49
Chrome charge\$94

No CastersSubtract \$25

Taller charge\$99
Shorter charge\$76

Spring Clip\$110

Nesting T Base, Trapezoid and Half Round Top



Size	Bases	Weight	Model code	LAMINATE				VENEER	
				T-mold (-LTM)	Self Edge (-LSE)	3mm PVC (-LVE)	1-1/4" x 1-1/4" Wood edges (-LWE1)	Self edge (-VSE)	1-1/4" x 1-1/4" Wood edges (-VWE1)
24x60	2	63.0	1TOU260-	\$1,162	\$1,199	\$1,195	\$1,912	\$1,814	\$2,520
24x72*	2	71.0	1TOU272-	\$1,296	\$1,329	\$1,330	\$2,093	\$1,966	\$2,689
30x60	2	69.0	1TOU360-	\$1,256	\$1,293	\$1,286	\$2,061	\$2,382	\$3,203
30x72*	2	79.0	1TOU372-	\$1,379	\$1,389	\$1,390	\$2,197	\$2,575	\$3,365
24x48	2	59.0	1TOJ248-	\$1,125	\$1,348	\$1,334	\$1,995	\$1,542	\$2,190
30x60	2	77.0	1TOJ360-	\$1,214	\$1,434	\$1,426	\$2,167	\$1,862	\$2,578

*Indicates price includes anti-sag bar
All nesting table prices include casters

Modesty panels on nesting tables require nesting modesty panel brackets

Extras

Metal Modesty Panel (Perforated)
• 36".....\$162 • 48".....\$172
• 60".....\$196 • 72".....\$216

Metal Modesty Panel (Plain)
• 36".....\$159 • 48".....\$170
• 60".....\$196 • 72".....\$205

Fabric Modesty Panel
• 36".....\$180 • 48".....\$189
• 60".....\$200 • 72".....\$211

Laminate Modesty Panel
• 36".....\$254 • 48".....\$273
• 60".....\$291 • 72".....\$318

Modesty Panel Wire Raceway\$162
(only available for metal panels)

Nesting Modesty Panel Brackets...\$115

Anti-Sag bar\$96 CPU holder...\$104

Custom cut out ..\$210 Custom Stain...\$445

Flat plate\$25 Grommet.....\$60

Table locks ..\$116
Click-Catch Locks ...\$28

Metal insert...\$50
Self-adjusting glides\$40
Undertable Wire management\$75
Vertical Wire management\$25

Edge Options

Flat T-Mold (-T10) Bumper T-Mold (-T14) Bullnose T-Mold (-T35) Flat 3mm PVC (-T33) Laminate Self Edge (-T13) Veneer Self Edge (-V13)

Square Wood Edge 1-1/4" x 1-1/4" (-T63-SQ) 2" x 1-1/4" (-T64-SQ) 2" x 1-3/4" (-T65-SQ)

Beveled Wood Edge 1-1/4" x 1-1/4" (-T63-BV) 2" x 1-1/4" (-T64-BV) 2" x 1-3/4" (-T65-BV)

Bullnose Wood Edge 1-1/4" x 1-1/4" (-T63-BN) 2" x 1-1/4" (-T64-BN) 2" x 1-3/4" (-T65-BN)

Knife Wood Edge 1-1/4" x 1-1/4" (-T63-KN) 2" x 1-1/4" (-T64-KN) 2" x 1-3/4" (-T65-KN)

Ogee Wood Edge 1-1/4" x 1-1/4" (-T63-OG) 2" x 1-1/4" (-T64-OG) 2" x 1-3/4" (-T65-OG)

Reeded Wood Edge 1-1/4" x 1-1/4" (-T63-RD) 2" x 1-1/4" (-T64-RD) 2" x 1-3/4" (-T65-RD)

Waterfall Wood Edge 1-1/4" x 1-1/4" (-T63-WF) 2" x 1-1/4" (-T64-WF) 2" x 1-3/4" (-T65-WF)

Add 3% List to all prices



Triumph X Base Options



Spring Clip Height Adjustment

Size	Bases	Weight	Model code	LAMINATE				VENEER	
				T-mold (-LTM)	Self Edge (-LSE)	3mm PVC (-LVE)	1-1/4" x 1-1/4" Wood edges (-LWE1)	Self edge (-VSE)	1-1/4" x 1-1/4" Wood edges (-VWE1)
24x24	1	47.0	1TOR924-	\$642	\$689	\$678	\$1,236	\$799	\$1,344
30X30	1	58.0	1TOR930-	\$726	\$771	\$762	\$1,378	\$1,074	\$1,678
36x36	1	75.0	1TOR936-	\$874	\$917	\$911	\$1,584	\$1,244	\$1,870
42x42	1	89.0	1TOR942-	\$988	\$1,016	\$1,010	\$1,759	\$1,339	\$1,991
48x48	1	108.0	1TOR948-	\$1,012	\$1,037	\$1,040	\$1,847	\$1,417	\$2,086
60X60	1	149.0	1TOR960-	\$1,246	\$1,192	\$1,198	\$2,174	\$2,041	\$2,843

All Flip Top Table prices include casters

Triumph Flip Top X Base Options
(all options per base)

- PC BlackStandard
- PC Grade 1Standard
- PC Grade 2\$49
- Chrome charge\$185

- No CastersSubtract \$45

- Taller charge\$65
- Shorter charge\$44

- Spring Clip\$211
- Double Column Nester\$833

Flip Top X Base, Round Top



Triumph X Base Options





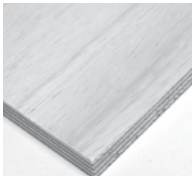


Spring Clip Height Adjustment

Size	Bases	Weight	Model code	LAMINATE				VENEER	
				T-mold (-LTM)	Self Edge (-LSE)	3mm PVC (-LVE)	1-1/4" x 1-1/4" Wood edges (-LWE1)	Self edge (-VSE)	1-1/4" x 1-1/4" Wood edges (-VWE1)
24	1	43.0	1TOQ924-	\$626	\$869	\$836	\$1,425	\$967	\$1,479
30	1	52.0	1TOQ930-	\$710	\$951	\$918	\$1,567	\$1,238	\$1,813
36	1	62.0	1TOQ936-	\$767	\$1,007	\$975	\$1,684	\$1,316	\$1,913
42	1	77.0	1TOQ942-	\$969	\$1,209	\$1,175	\$1,965	\$1,512	\$2,142
48	1	93.0	1TOQ948-	\$993	\$1,230	\$1,202	\$2,050	\$1,587	\$2,236
54	1	108.0	1TOQ954-	\$1,147	\$1,386	\$1,351	\$2,300	\$2,146	\$2,907
60	1	124.0	1TOQ960-	\$1,150	\$1,386	\$1,357	\$2,378	\$2,209	\$2,995

All Flip Top Table prices include casters

- Extras**
- Metal Modesty Panel (Perforated)
 - 36".....\$162
 - 48".....\$172
 - 60".....\$196
 - 72".....\$216
 - Metal Modesty Panel (Plain)
 - 36".....\$159
 - 48".....\$170
 - 60".....\$196
 - 72".....\$205
 - Fabric Modesty Panel
 - 36".....\$180
 - 48".....\$189
 - 60".....\$200
 - 72".....\$211
 - Laminate Modesty Panel
 - 36".....\$254
 - 48".....\$273
 - 60".....\$291
 - 72".....\$318
 - Modesty Panel Wire Raceway\$162
(only available for metal panels)
 - Nesting Modesty Panel Brackets.....\$115
 - Anti-Sag bar\$96 CPU holder....\$104
 - Custom cut out\$210 Custom stain.\$445
 - Flat plate\$25 Grommet.....\$60
 - Table locks ..\$116 Click-Catch Locks ...\$28
 - Metal insert...\$50
 - Self-adjusting glides\$40
 - Undertable Wire management\$75
 - Vertical Wire management\$25

Work Surface Material Options

<p>Thermofoil</p>  <p>Same Price as T-Mold Add \$180 list per order for boat, racetrack & telewedge tops</p>	<p>Marmoleum</p>  <p>Add \$11 list per square foot to Laminate Pricing</p>	<p>Lightweight</p>  <p>Add \$14 list per square foot</p>	<p>Bamboo</p>  <p>See page 95 for pricing</p>	<p>Cambria</p>  <p>Add \$165 list per square foot to 3mm Laminate Pricing</p>
--	--	--	---	--