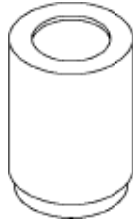
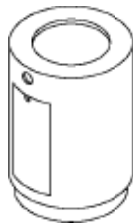


Cylinder Base Options



Plinth (Toe Kick)



Wire Management Door

Size	Bases	Model code	LAMINATE				VENEER	
			T-mold (-LTM)	Self edge (-LSE)	3mm PVC (-LVE)	1-1/4" x 1-1/4" Wood edges (-LWE1)	Self edge (-VSE)	1-1/4" x 1-1/4" Wood edges (-VWE1)
30x60	2	1GEP360-	\$1,628	\$1,666	\$1,668	\$2,415	\$3,655	\$4,395
30x72	2	1GEP372-	\$1,674	\$1,709	\$1,716	\$2,517	\$3,722	\$4,480
30x84	2	1GEP384-	\$1,761	\$1,820	\$1,803	\$2,665	\$3,812	\$4,594
30x96	2	1GEP396-	\$1,840	\$1,837	\$1,829	\$2,702	\$3,855	\$4,652
30x120	2	1GEP320-	\$1,931	\$1,893	\$1,895	\$2,903	\$4,567	\$5,452
36x42	2	1GEP442-	\$1,616	\$1,668	\$1,652	\$2,310	\$3,131	\$4,291
36x48	2	1GEP448-	\$1,628	\$1,698	\$1,666	\$2,400	\$3,437	\$4,130
36x54	2	1GEP454-	\$1,683	\$1,722	\$1,720	\$2,492	\$3,705	\$4,454
36x60	2	1GEP460-	\$1,685	\$1,752	\$1,724	\$2,521	\$3,730	\$4,484
36x72	2	1GEP472-	\$1,742	\$1,777	\$1,782	\$2,640	\$3,809	\$4,588
36x84	2	1GEP484-	\$1,852	\$1,911	\$1,890	\$2,822	\$3,920	\$4,726
36x96	2	1GEP496-	\$1,930	\$1,928	\$1,917	\$2,865	\$3,968	\$4,790
36x120	2	1GEP420-	\$2,044	\$2,007	\$2,003	\$3,103	\$4,927	\$6,513
42x60	2	1GEP560-	\$1,832	\$1,782	\$1,783	\$2,631	\$3,797	\$4,570
42x72	2	1GEP572-	\$1,903	\$1,851	\$1,858	\$2,772	\$3,889	\$4,687
42x84	2	1GEP584-	\$2,041	\$2,014	\$1,989	\$2,994	\$4,020	\$4,849
42x96	2	1GEP596-	\$2,045	\$2,034	\$1,997	\$3,057	\$4,074	\$4,918
48x60	2	1GEP660-	\$1,834	\$1,782	\$1,787	\$2,670	\$3,832	\$4,616
48x72	2	1GEP672-	\$1,905	\$1,851	\$1,858	\$2,809	\$3,929	\$4,726
48x84	2	1GEP684-	\$2,043	\$2,014	\$1,993	\$3,036	\$4,105	\$4,940
48x96	2	1GEP696-	\$2,071	\$2,034	\$2,001	\$3,104	\$4,164	\$5,018
48x108	2	1GEP608-	\$2,185	\$2,152	\$2,136	\$3,333	\$5,263	\$6,313
48x120	2	1GEP620-	\$2,189	\$2,182	\$2,144	\$3,400	\$5,278	\$6,390
48x144*	3	1GEP644-	\$3,146	\$3,177	\$3,150	\$5,046	\$6,997	\$8,219
48x168*	3	1GEP668-	\$3,422	\$3,478	\$3,419	\$5,522	\$7,268	\$8,582
48x192*	3	1GEP692-	\$3,429	\$3,498	\$3,435	\$5,661	\$7,387	\$8,737
48x216*	3	1GEP616-	\$3,706	\$3,754	\$3,659	\$6,117	\$9,633	\$11,204
48x240*	4	1GEP640-	\$4,326	\$4,392	\$4,334	\$6,864	\$9,750	\$11,357
48x288*	5	1GEP688-	\$5,314	\$5,456	\$5,393	\$8,493	\$11,587	\$13,358
60x84	2	1GEP784-	\$2,459	\$2,430	\$2,405	\$3,587	\$4,551	\$5,535
60x96	2	1GEP796-	\$2,463	\$2,450	\$2,414	\$3,669	\$4,670	\$5,682
60x108	2	1GEP708-	\$2,635	\$2,602	\$2,579	\$3,623	\$6,076	\$7,332
60x120	2	1GEP720-	\$2,638	\$2,622	\$2,588	\$4,028	\$6,091	\$7,420
60x144*	3	1GEP744-	\$3,768	\$3,801	\$3,764	\$5,876	\$7,748	\$9,199
60x168*	3	1GEP768-	\$4,111	\$4,171	\$4,096	\$6,457	\$8,082	\$9,634
60x192*	3	1GEP792-	\$4,119	\$4,191	\$4,113	\$6,617	\$8,220	\$9,815
60x216*	3	1GEP716-	\$4,462	\$4,515	\$4,445	\$7,176	\$10,823	\$12,731
60x240*	4	1GEP740-	\$5,222	\$5,267	\$5,213	\$8,088	\$11,075	\$13,267
60x288*	5	1GEP788-	\$6,416	\$6,540	\$6,474	\$9,982	\$12,781	\$14,954

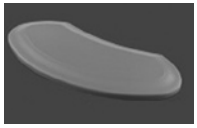

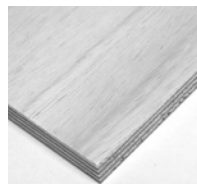


*Indicates multiple piece top

Cylinder Base Options
(all options per base)

Plinth(Toe Kick)\$200

Wire management door
.....\$175

Work Surface Material Options

<p>Thermofoil</p>  <p>Same Price as T-Mold Add \$180 list per order for boat, racetrack & telewedge tops</p>	<p>Marmoleum</p>  <p>Add \$11 list per square foot to Laminate Pricing</p>	<p>Lightweight</p>  <p>Add \$14 list per square foot</p>	<p>Bamboo</p>  <p>See page 95 for pricing</p>	<p>Cambria</p>  <p>Add \$165 list per square foot to 3mm Laminate Pricing</p>
--	--	--	---	--

Extras

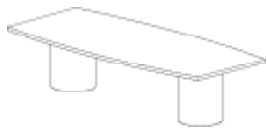
Metal insert...\$50
Table locks ..\$116
Custom cut out....\$210 Grommets\$60

Self-adjusting glides\$40
Undertable Wire management\$75
Vertical Wire management\$25

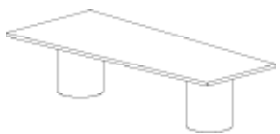
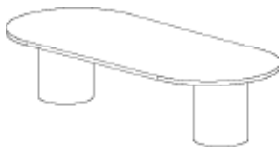
Geometry Cylinder Collection

Cylinder Base, Boat Shape Top

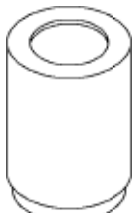
Conference Tables



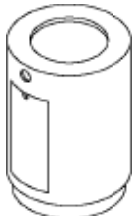
Racetrack and Telewedge tops are available for the same price as boat tops. Replace "A" in model code with either "O" for racetrack or "S" for telewedge.



Cylinder Base Options



Plinth (Toe Kick)



Wire Management Door

Size	Bases	Model code	LAMINATE				VENEER	
			T-mold (-LTM)	Self edge (-LSE)	3mm PVC (-LVE)	1-1/4" x 1-1/4" Wood edges (-LWE1)	Self edge (-VSE)	1-1/4" x 1-1/4" Wood edges (-VWE1)
30x60	2	1GEA360-	\$1,702	\$1,934	\$1,914	\$2,708	\$3,655	\$4,395
30x72	2	1GEA372-	\$1,748	\$1,977	\$1,961	\$2,809	\$3,722	\$4,480
30x84	2	1GEA384-	\$1,836	\$2,088	\$2,048	\$2,958	\$3,812	\$4,594
30x96	2	1GEA396-	\$1,840	\$2,108	\$2,057	\$3,009	\$3,855	\$4,652
30x120	2	1GEA320-	\$1,931	\$2,175	\$2,152	\$3,209	\$4,863	\$5,669
36x42	2	1GEA442-	\$1,690	\$1,936	\$1,897	\$2,602	\$3,410	\$4,291
36x48	2	1GEA448-	\$1,703	\$1,956	\$1,912	\$2,693	\$3,437	\$4,130
36x54	2	1GEA454-	\$1,757	\$1,991	\$1,966	\$2,784	\$3,705	\$4,454
36x60	2	1GEA460-	\$1,759	\$2,001	\$1,970	\$2,813	\$3,730	\$4,484
36x72	2	1GEA472-	\$1,816	\$2,045	\$2,028	\$2,933	\$3,809	\$4,588
36x84	2	1GEA484-	\$1,926	\$2,179	\$2,136	\$3,115	\$3,920	\$4,726
36x96	2	1GEA496-	\$1,930	\$2,199	\$2,144	\$3,171	\$3,968	\$4,790
36x120	2	1GEA420-	\$2,044	\$2,288	\$2,260	\$3,410	\$5,223	\$6,730
42x60	2	1GEA560-	\$1,832	\$2,063	\$2,040	\$2,936	\$3,797	\$4,570
42x72	2	1GEA572-	\$1,903	\$2,132	\$2,112	\$3,080	\$3,889	\$4,687
42x84	2	1GEA584-	\$2,041	\$2,688	\$2,246	\$3,302	\$4,020	\$4,849
42x96	2	1GEA596-	\$2,045	\$2,295	\$2,254	\$3,365	\$4,074	\$4,918
48x60	2	1GEA660-	\$1,834	\$2,063	\$2,044	\$2,977	\$3,832	\$4,616
48x72	2	1GEA672-	\$1,905	\$2,132	\$2,116	\$3,115	\$3,929	\$4,726
48x84	2	1GEA684-	\$2,043	\$2,295	\$2,250	\$3,343	\$4,105	\$4,940
48x96	2	1GEA696-	\$2,071	\$2,315	\$2,258	\$3,412	\$4,164	\$5,018
48x108	2	1GEA608-	\$2,185	\$2,433	\$2,393	\$3,639	\$5,516	\$6,530
48x120	2	1GEA620-	\$2,189	\$2,453	\$2,401	\$3,708	\$5,575	\$6,605
48x144*	3	1GEA644-	\$3,146	\$3,543	\$3,485	\$5,447	\$7,136	\$8,981
48x168*	3	1GEA668-	\$3,422	\$3,844	\$3,754	\$5,925	\$7,407	\$9,341
48x192*	3	1GEA692-	\$3,429	\$3,864	\$3,770	\$6,063	\$7,525	\$9,496
48x216*	3	1GEA616-	\$3,706	\$4,120	\$3,994	\$6,518	\$9,771	\$11,965
48x240*	4	1GEA640-	\$4,326	\$4,758	\$4,669	\$7,267	\$9,889	\$12,116
48x288*	5	1GEA688-	\$5,256	\$5,772	\$5,682	\$9,286	\$11,888	\$14,706
60x84	2	1GEA784-	\$2,459	\$2,711	\$2,662	\$3,894	\$4,551	\$5,535
60x96	2	1GEA796-	\$2,463	\$2,731	\$2,671	\$3,976	\$4,670	\$5,682
60x108	2	1GEA708-	\$2,635	\$2,884	\$2,837	\$4,255	\$6,317	\$7,549
60x120	2	1GEA720-	\$2,638	\$2,904	\$2,845	\$4,334	\$6,389	\$7,637
60x144*	3	1GEA744-	\$3,768	\$4,167	\$4,099	\$6,287	\$7,896	\$9,961
60x168*	3	1GEA768-	\$4,111	\$4,537	\$4,431	\$6,868	\$8,220	\$10,394
60x192*	3	1GEA792-	\$4,119	\$4,557	\$4,448	\$7,030	\$8,359	\$10,574
60x216*	3	1GEA716-	\$4,462	\$4,882	\$4,780	\$7,579	\$10,961	\$13,490
60x240*	4	1GEA740-	\$5,222	\$5,634	\$5,548	\$8,491	\$11,110	\$13,669
60x288*	5	1GEA788-	\$6,358	\$6,856	\$6,763	\$10,776	\$13,081	\$16,302

*Indicates multiple piece top

Cylinder Base Options
(all options per base)

Plinth(Toe Kick)\$200

Wire management door\$175

Edge Options



Flat T-Mold (-T10)



Bumper T-Mold (-T14)



Bullnose T-Mold (-T35)



Flat 3mm PVC (-T33)



Laminated Self Edge (-T13)



Veneer Self Edge (-V13)



Beveled Wood Edge
1-1/4" x 1-1/4" (-T63-BV)
2" x 1-1/4" (-T64-BV)
2" x 1-3/4" (-T65-BV)



Bullnose Wood Edge
1-1/4" x 1-1/4" (-T63-BN)
2" x 1-1/4" (-T64-BN)
2" x 1-3/4" (-T65-BN)



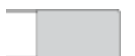
Knife Wood Edge
1-1/4" x 1-1/4" (-T63-KN)
2" x 1-1/4" (-T64-KN)
2" x 1-3/4" (-T65-KN)



Ogee Wood Edge
1-1/4" x 1-1/4" (-T63-OG)
2" x 1-1/4" (-T64-OG)
2" x 1-3/4" (-T65-OG)



Reeded Wood Edge
1-1/4" x 1-1/4" (-T63-RD)
2" x 1-1/4" (-T64-RD)
2" x 1-3/4" (-T65-RD)



Square Wood Edge
1-1/4" x 1-1/4" (-T63-SQ)
2" x 1-1/4" (-T64-SQ)
2" x 1-3/4" (-T65-SQ)

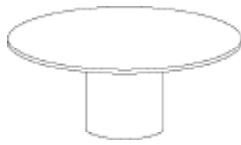


Waterfall Wood Edge
1-1/4" x 1-1/4" (-T63-WF)
2" x 1-1/4" (-T64-WF)
2" x 1-3/4" (-T65-WF)

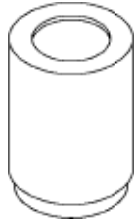
Extras

Metal insert...\$50
Table locks ..\$116
Custom cut out....\$210
Grommets\$60

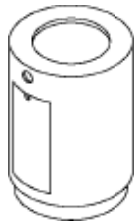
Self-adjusting glides\$40
Undertable Wire management\$75
Vertical Wire management\$25



Cylinder Base Options



Plinth (Toe Kick)



Wire Management Door

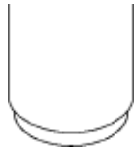
Size	Bases	Model code	LAMINATE				VENEER	
			T-mold (-LTM)	Self edge (-LSE)	3mm PVC (-LVE)	1-1/4" x 1-1/4" Wood edges (-LWE1)	Self edge (-VSE)	1-1/4" x 1-1/4" Wood edges (-VWE1)
24	1	1GEC924-	\$626	\$869	\$836	\$1,425	\$1,717	\$2,229
30	1	1GEC930-	\$701	\$942	\$909	\$1,558	\$1,979	\$2,554
36	1	1GEC936-	\$758	\$998	\$966	\$1,675	\$2,057	\$2,654
42	1	1GEC942-	\$870	\$1,110	\$1,076	\$1,866	\$2,163	\$2,793
48	1	1GEC948-	\$873	\$1,110	\$1,082	\$1,930	\$2,217	\$2,866
54	1	1GEC954-	\$1,036	\$1,275	\$1,240	\$2,189	\$2,674	\$3,435
60	1	1GEC960-	\$1,039	\$1,275	\$1,246	\$2,267	\$2,737	\$3,523
72	1	1GEC972-	\$1,450	\$1,603	\$1,643	\$2,903	\$3,722	\$5,475

Cylinder Base Options (all options per base)	
Plinth(Toe Kick)	\$200
Wire management door	\$175

Cylinder Occasional Table



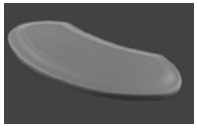

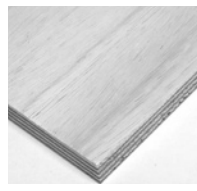


Cylinder Table Options



Plinth (Toe Kick)

Size	Model code	LAMINATE	VENEER
		(-L)	(-V)
18"R x 18"H	1GEV118-	\$563	\$1,125
18"R x 24"H	1GEV124-	\$581	\$1,165
18"R x 30"H	1GEV130-	\$613	\$1,180
24"R x 18"H	1GEV218-	\$702	\$1,385
24"R x 24"H	1GEV224-	\$720	\$1,425
24"R x 30"H	1GEV230-	\$752	\$1,440
30"R x 18"H	1GEV318-	\$1,342	\$1,996
30"R x 24"H	1GEV324-	\$1,360	\$2,036
30"R x 30"H	1GEV330-	\$1,392	\$2,051

Cylinder Base Options (all options per base)	
Plinth(Toe Kick)	\$200
Wire management door	\$175

Work Surface Material Options				
Thermofoil  Same Price as T-Mold Add \$180 list per order for boat, racetrack & telewedge tops	Marmoleum  Add \$11 list per square foot to Laminate Pricing	Lightweight  Add \$14 list per square foot	Bamboo  See page 95 for pricing	Cambria  Add \$165 list per square foot to 3mm Laminate Pricing

Extras	
Metal insert.....	\$50
Table locks	\$116
Custom cut out.....	\$210
Grommets	\$60
Self-adjusting glides	\$40
Undertable Wire management	\$75
Vertical Wire management	\$25