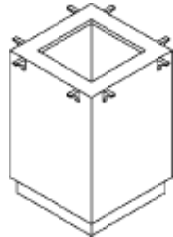
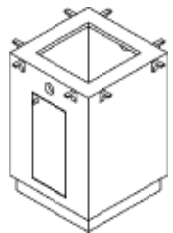


Cube Base Options



Plinth (Toe Kick)

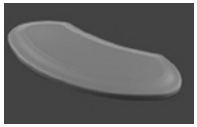

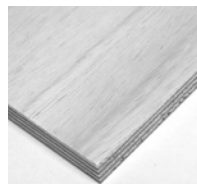




Wire Management Door

Size	Bases	Model code	LAMINATE				VENEER	
			T-mold (-LTM)	Self edge (-LSE)	3mm PVC (-LVE)	1-1/4" x 1-1/4" Wood edges (-LWE1)	Self edge (-VSE)	1-1/4" x 1-1/4" Wood edges (-VWE1)
30x60	2	1GDP360-	\$1,862	\$1,900	\$1,902	\$2,649	\$3,443	\$4,138
30x72	2	1GDP372-	\$1,908	\$1,943	\$1,950	\$2,751	\$3,510	\$4,222
30x84	2	1GDP384-	\$1,995	\$2,054	\$2,037	\$2,899	\$3,599	\$4,337
30x96	2	1GDP396-	\$2,074	\$2,041	\$2,033	\$2,936	\$3,628	\$4,378
30x120	2	1GDP320-	\$2,165	\$2,127	\$2,129	\$3,137	\$4,637	\$5,522
36x42	2	1GDP442-	\$1,850	\$1,902	\$1,886	\$2,544	\$3,201	\$3,841
36x48	2	1GDP448-	\$1,862	\$1,922	\$1,900	\$2,634	\$3,224	\$3,873
36x54	2	1GDP454-	\$1,917	\$1,956	\$1,954	\$2,726	\$3,493	\$4,196
36x60	2	1GDP460-	\$1,919	\$1,976	\$1,958	\$2,755	\$3,517	\$4,227
36x72	2	1GDP472-	\$1,976	\$2,011	\$2,016	\$2,874	\$3,597	\$4,330
36x84	2	1GDP484-	\$2,086	\$2,145	\$2,124	\$3,056	\$3,708	\$4,469
36x96	2	1GDP496-	\$2,164	\$2,132	\$2,121	\$3,099	\$3,743	\$4,516
36x120	2	1GDP420-	\$2,278	\$2,241	\$2,237	\$3,337	\$4,997	\$6,583
42x60	2	1GDP560-	\$2,066	\$2,016	\$2,017	\$2,865	\$3,572	\$4,296
42x72	2	1GDP572-	\$2,137	\$2,085	\$2,092	\$3,006	\$3,663	\$4,413
42x84	2	1GDP584-	\$2,275	\$2,248	\$2,223	\$3,228	\$3,794	\$4,575
42x96	2	1GDP596-	\$2,279	\$2,268	\$2,231	\$3,291	\$3,848	\$4,646
48x60	2	1GDP660-	\$2,068	\$2,016	\$2,021	\$2,904	\$3,606	\$4,342
48x72	2	1GDP672-	\$2,139	\$2,085	\$2,092	\$3,043	\$3,705	\$4,452
48x84	2	1GDP684-	\$2,277	\$2,248	\$2,227	\$3,270	\$3,879	\$4,668
48x96	2	1GDP696-	\$2,305	\$2,268	\$2,235	\$3,338	\$3,937	\$4,744
48x108	2	1GDP608-	\$2,419	\$2,386	\$2,370	\$3,567	\$5,333	\$6,383
48x120	2	1GDP620-	\$2,423	\$2,406	\$2,378	\$3,634	\$5,348	\$6,460
48x144*	2	1GDP644-	\$3,497	\$3,528	\$3,501	\$5,397	\$7,102	\$8,324
48x168*	2	1GDP668-	\$3,773	\$3,829	\$3,770	\$5,873	\$7,373	\$8,687
48x192*	2	1GDP692-	\$3,780	\$3,849	\$3,786	\$6,012	\$7,492	\$8,842
48x216*	2	1GDP616-	\$4,057	\$4,105	\$4,010	\$6,468	\$9,773	\$11,344
48x240*	4	1GDP640-	\$4,794	\$4,860	\$4,802	\$7,332	\$9,890	\$11,497
48x288*	5	1GDP688-	\$5,899	\$6,041	\$5,978	\$9,078	\$11,762	\$13,533
60x84	2	1GDP784-	\$2,575	\$2,546	\$2,521	\$3,703	\$5,317	\$6,252
60x96	2	1GDP796-	\$2,579	\$2,566	\$2,530	\$3,785	\$5,436	\$6,401
60x108	2	1GDP708-	\$2,751	\$2,718	\$2,695	\$3,739	\$7,138	\$8,394
60x120	2	1GDP720-	\$2,754	\$2,738	\$2,704	\$4,144	\$7,153	\$8,482
60x144*	3	1GDP744-	\$3,942	\$3,975	\$3,938	\$6,050	\$9,341	\$10,792
60x168*	3	1GDP768-	\$4,285	\$4,345	\$4,270	\$6,631	\$9,675	\$11,227
60x192*	3	1GDP792-	\$4,293	\$4,365	\$4,287	\$6,791	\$9,813	\$11,408
60x216*	3	1GDP716-	\$4,636	\$4,689	\$4,619	\$7,350	\$12,947	\$14,855
60x240*	4	1GDP740-	\$5,454	\$5,499	\$5,445	\$8,320	\$13,199	\$15,391
60x288*	5	1GDP788-	\$6,706	\$6,830	\$6,764	\$10,272	\$15,436	\$17,609

*Indicates multiple piece top

Cube Base Options (all options per base)	
Plinth(Toe Kick)	\$80
Wire management door	\$175

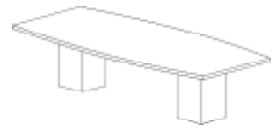
Work Surface Material Options				
Thermofoil  Same Price as T-Mold Add \$180 list per order for boat, racetrack & telewedge tops	Marmoleum  Add \$11 list per square foot to Laminate Pricing	Lightweight  Add \$14 list per square foot	Bamboo  See page 95 for pricing	Cambria  Add \$165 list per square foot to 3mm Laminate Pricing

Extras	
Metal insert...	\$50
Table locks ..	\$116
Custom cut out....	\$210
Grommets	\$60
Self-adjusting glides	\$40
Undertable Wire management	\$75
Vertical Wire management	\$25

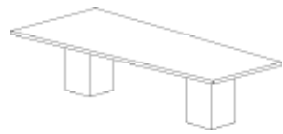
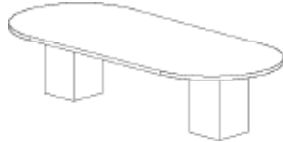
Geometry Cube Collection

Cube base, Boat Shape Top

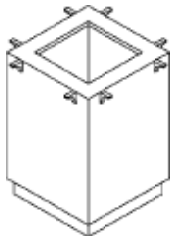
Conference Tables



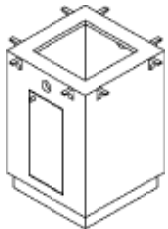
Racetrack and Telewedge tops are available for the same price as boat tops. Replace "A" in model code with either "O" for racetrack or "S" for telewedge.



Cube Base Options



Plinth (Toe Kick)



Wire Management Door

Size	Bases	Model code	LAMINATE				VENEER	
			T-mold (-LTM)	Self edge (-LSE)	3mm PVC (-LVE)	1-1/4" x 1-1/4" Wood edges (-LWE1)	Self edge (-VSE)	1-1/4" x 1-1/4" Wood edges (-VWE1)
30x60	2	1GDA360-	\$1,936	\$2,168	\$2,148	\$2,942	\$3,725	\$4,465
30x72	2	1GDA372-	\$1,982	\$2,211	\$2,195	\$3,043	\$3,792	\$4,550
30x84	2	1GDA384-	\$2,070	\$2,322	\$2,282	\$3,192	\$3,882	\$4,664
30x96	2	1GDA396-	\$2,074	\$2,342	\$2,291	\$3,243	\$3,925	\$4,722
30x120	2	1GDA320-	\$2,165	\$2,409	\$2,386	\$3,443	\$4,933	\$5,739
36x42	2	1GDA442-	\$1,924	\$2,170	\$2,131	\$2,836	\$3,480	\$4,361
36x48	2	1GDA448-	\$1,937	\$2,190	\$2,146	\$2,927	\$3,507	\$4,200
36x54	2	1GDA454-	\$1,991	\$2,225	\$2,200	\$3,018	\$3,775	\$4,524
36x60	2	1GDA460-	\$1,993	\$2,245	\$2,204	\$3,047	\$3,800	\$4,554
36x72	2	1GDA472-	\$2,050	\$2,279	\$2,262	\$3,167	\$3,879	\$4,658
36x84	2	1GDA484-	\$2,160	\$2,413	\$2,370	\$3,349	\$3,990	\$4,796
36x96	2	1GDA496-	\$2,164	\$2,413	\$2,378	\$3,405	\$4,038	\$4,860
36x120	2	1GDA420-	\$2,278	\$2,522	\$2,494	\$3,644	\$5,293	\$6,800
42x60	2	1GDA560-	\$2,066	\$2,297	\$2,274	\$3,170	\$3,867	\$4,640
42x72	2	1GDA572-	\$2,137	\$2,366	\$2,346	\$3,314	\$3,959	\$4,757
42x84	2	1GDA584-	\$2,275	\$2,922	\$2,480	\$3,536	\$4,090	\$4,919
42x96	2	1GDA596-	\$2,279	\$2,529	\$2,488	\$3,599	\$4,144	\$4,988
48x60	2	1GDA660-	\$2,068	\$2,297	\$2,278	\$3,211	\$3,902	\$4,686
48x72	2	1GDA672-	\$2,139	\$2,366	\$2,350	\$3,349	\$3,999	\$4,796
48x84	2	1GDA684-	\$2,277	\$2,529	\$2,484	\$3,577	\$4,175	\$5,010
48x96	2	1GDA696-	\$2,305	\$2,549	\$2,492	\$3,646	\$4,234	\$5,088
48x108	2	1GDA608-	\$2,419	\$2,667	\$2,627	\$3,873	\$5,586	\$6,600
48x120	2	1GDA620-	\$2,423	\$2,687	\$2,635	\$3,942	\$5,645	\$6,675
48x144*	3	1GDA644-	\$3,497	\$3,894	\$3,836	\$5,798	\$7,241	\$9,086
48x168*	3	1GDA668-	\$3,773	\$4,195	\$4,105	\$6,276	\$7,512	\$9,446
48x192*	3	1GDA692-	\$3,780	\$4,215	\$4,121	\$6,414	\$7,630	\$9,601
48x216*	3	1GDA616-	\$4,057	\$4,471	\$4,345	\$6,869	\$9,911	\$12,105
48x240*	4	1GDA640-	\$4,794	\$5,226	\$5,137	\$7,735	\$10,029	\$12,256
48x288*	5	1GDA688-	\$5,841	\$6,357	\$6,267	\$9,871	\$12,063	\$14,881
60x84	2	1GDA784-	\$2,575	\$2,827	\$2,778	\$4,010	\$5,613	\$6,597
60x96	2	1GDA796-	\$2,579	\$2,847	\$2,787	\$4,092	\$5,732	\$6,744
60x108	2	1GDA708-	\$2,751	\$3,000	\$2,953	\$4,371	\$7,379	\$8,611
60x120	2	1GDA720-	\$2,754	\$3,020	\$2,961	\$4,450	\$7,451	\$8,699
60x144*	3	1GDA744-	\$3,942	\$4,341	\$4,273	\$6,461	\$9,489	\$11,554
60x168*	3	1GDA768-	\$4,285	\$4,711	\$4,605	\$7,042	\$9,813	\$11,987
60x192*	3	1GDA792-	\$4,293	\$4,731	\$4,622	\$7,204	\$9,952	\$12,167
60x216*	3	1GDA716-	\$4,636	\$5,056	\$4,954	\$7,753	\$13,085	\$15,614
60x240*	4	1GDA740-	\$5,454	\$5,866	\$5,780	\$8,723	\$13,234	\$15,793
60x288*	5	1GDA788-	\$6,648	\$7,146	\$7,053	\$11,066	\$15,736	\$18,957

*Indicates multiple piece top

Cube Base Options
(all options per base)

Plinth(Toe Kick)\$80

Wire management door\$175

Edge Options



Flat T-Mold (-T10)



Bumper T-Mold (-T14)



Bullnose T-Mold (-T35)



Flat 3mm PVC (-T33)



Laminate Self Edge (-T13)



Veneer Self Edge (-V13)



Beveled Wood Edge
1-1/4" x 1-1/4" (-T63-BV)
2" x 1-1/4" (-T64-BV)
2" x 1-3/4" (-T65-BV)



Bullnose Wood Edge
1-1/4" x 1-1/4" (-T63-BN)
2" x 1-1/4" (-T64-BN)
2" x 1-3/4" (-T65-BN)



Knife Wood Edge
1-1/4" x 1-1/4" (-T63-KN)
2" x 1-1/4" (-T64-KN)
2" x 1-3/4" (-T65-KN)



Ogee Wood Edge
1-1/4" x 1-1/4" (-T63-OG)
2" x 1-1/4" (-T64-OG)
2" x 1-3/4" (-T65-OG)



Reeded Wood Edge
1-1/4" x 1-1/4" (-T63-RD)
2" x 1-1/4" (-T64-RD)
2" x 1-3/4" (-T65-RD)



Square Wood Edge
1-1/4" x 1-1/4" (-T63-SQ)
2" x 1-1/4" (-T64-SQ)
2" x 1-3/4" (-T65-SQ)

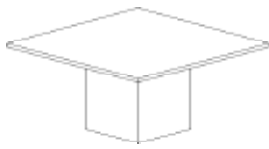


Waterfall Wood Edge
1-1/4" x 1-1/4" (-T63-WF)
2" x 1-1/4" (-T64-WF)
2" x 1-3/4" (-T65-WF)

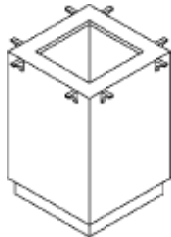
Extras

Metal insert...\$50
Table locks ..\$116
Custom cut out....\$210
Grommets\$60

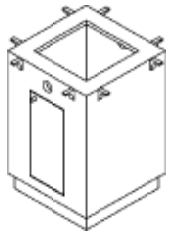
Self-adjusting glides\$40
Undertable Wire management\$75
Vertical Wire management\$25



Cube Base Options



Plinth (Toe Kick)

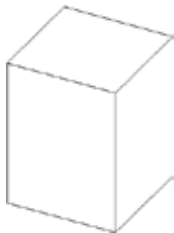


Wire Management Door

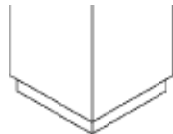
Size	Bases	Model code	LAMINATE				VENEER	
			T-mold (-LTM)	Self edge (-LSE)	3mm PVC (-LVE)	1-1/4" x 1-1/4" Wood edges (-LWE1)	Self edge (-VSE)	1-1/4" x 1-1/4" Wood edges (-VWE1)
24x24	1	1GDR924-	\$942	\$989	\$978	\$1,536	\$1,584	\$2,129
30X30	1	1GDR930-	\$1,017	\$1,062	\$1,053	\$1,669	\$1,850	\$2,454
36x36	1	1GDR936-	\$1,075	\$1,118	\$1,112	\$1,785	\$1,930	\$2,556
42x42	1	1GDR942-	\$1,189	\$1,217	\$1,211	\$1,960	\$2,025	\$2,677
48x48	1	1GDR948-	\$1,192	\$1,217	\$1,220	\$2,027	\$2,082	\$2,751
60X60	1	1GDR960-	\$1,506	\$1,452	\$1,458	\$2,434	\$3,099	\$3,901

Cube Base Options (all options per base)	
Plinth(Toe Kick)	\$80
Wire management door	\$175

Cube Occasional Table



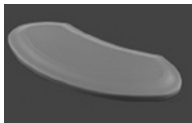

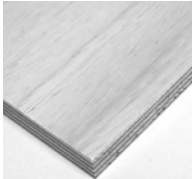
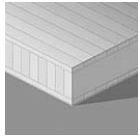

Cube Table Options



Plinth (Toe Kick)

Size	Model code	LAMINATE	VENEER
		(-L)	(-V)
18"SQ x 18"H	1GDV118-	\$670	\$1,170
18"SQ x 24"H	1GDV124-	\$690	\$1,183
18"SQ x 30"H	1GDV130-	\$730	\$1,215
24"SQ x 18"H	1GDV218-	\$750	\$1,564
24"SQ x 24"H	1GDV224-	\$770	\$1,577
24"SQ x 30"H	1GDV230-	\$810	\$1,609
30"SQ x 18"H	1GDV318-	\$1,140	\$1,655
30"SQ x 24"H	1GDV324-	\$1,160	\$1,168
30"SQ x 30"H	1GDV330-	\$1,200	\$1,700

Cylinder Base Options (all options per base)	
Plinth(Toe Kick)	\$200
Wire management door	\$175

Work Surface Material Options				
<p>Thermofoil</p>  <p>Same Price as T-Mold Add \$180 list per order for boat, racetrack & telewedge tops</p>	<p>Marmoleum</p>  <p>Add \$11 list per square foot to Laminate Pricing</p>	<p>Lightweight</p>  <p>Add \$14 list per square foot</p>	<p>Bamboo</p>  <p>See page 95 for pricing</p>	<p>Cambria</p>  <p>Add \$165 list per square foot to 3mm Laminate Pricing</p>

Extras	
Metal insert...	\$50
Table locks ..	\$116
Custom cut out....	\$210
Grommets	\$60
Self-adjusting glides	\$40
Undertable Wire management	\$75
Vertical Wire management	\$25