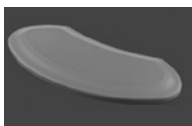




Size	Pieces	Weight	Model code	LAMINATE				VENEER	
				T-mold (-LTM)	Self Edge (-LSE)	3mm PVC (-LVE)	1-1/4" x 1-1/4" Wood edges (-LWE1)	Self edge (-VSE)	1-1/4" Wood edges (-VWE1)
18x48	1	27.0	1P148-	\$290	\$333	\$328	\$947	\$537	\$1,126
18x54	1	30.5	1P154-	\$319	\$360	\$357	\$996	\$674	\$1,292
18x60	1	48.0	1P160-	\$321	\$360	\$361	\$1,016	\$689	\$1,313
18x72	1	40.5	1P172-	\$351	\$388	\$395	\$1,087	\$737	\$1,377
18x84	1	47.0	1P184-	\$408	\$467	\$453	\$1,189	\$801	\$1,457
18x96	1	54.0	1P196-	\$486	\$454	\$449	\$1,214	\$819	\$1,485
24x30	1	23.0	1P230-	\$264	\$310	\$299	\$888	\$505	\$1,080
24x36	1	27.0	1P236-	\$283	\$328	\$319	\$930	\$524	\$1,107
24x42	1	32.0	1P242-	\$302	\$293	\$339	\$971	\$562	\$1,147
24x48	1	36.0	1P248-	\$321	\$362	\$359	\$1,015	\$580	\$1,180
24x54	1	40.5	1P254-	\$356	\$397	\$395	\$1,076	\$723	\$1,354
24x60	1	45.0	1P260-	\$358	\$397	\$399	\$1,098	\$742	\$1,379
24x72	1	54.0	1P272-	\$395	\$431	\$439	\$1,183	\$797	\$1,452
24x84	1	63.0	1P284-	\$466	\$525	\$510	\$1,307	\$873	\$1,548
24x96	1	72.0	1P296-	\$544	\$512	\$506	\$1,339	\$897	\$1,583
24x120	1	90.0	1P220-	\$619	\$581	\$586	\$1,506	\$1,682	\$2,664
30x36	1	34.0	1P336-	\$310	\$354	\$347	\$987	\$667	\$1,282
30x42	1	39.0	1P342-	\$354	\$379	\$390	\$1,062	\$718	\$1,325
30x48	1	45.0	1P348-	\$356	\$397	\$395	\$1,089	\$734	\$1,368
30x54	1	50.5	1P354-	\$400	\$440	\$438	\$1,163	\$992	\$1,679
30x60	1	56.0	1P360-	\$402	\$440	\$442	\$1,189	\$1,013	\$1,708
30x72	1	68.0	1P372-	\$448	\$483	\$490	\$1,291	\$1,080	\$1,792
30x84	1	79.0	1P384-	\$535	\$594	\$577	\$1,439	\$1,169	\$1,907
30x96	1	90.0	1P396-	\$614	\$581	\$573	\$1,476	\$1,198	\$1,948
30x120	1	112.5	1P320-	\$705	\$667	\$669	\$1,677	\$2,207	\$3,092
36x42	1	47.0	1P442-	\$390	\$442	\$426	\$1,084	\$771	\$1,411
36x48	1	54.0	1P448-	\$402	\$442	\$440	\$1,174	\$794	\$1,443
36x54	1	60.8	1P454-	\$457	\$496	\$494	\$1,266	\$1,063	\$1,766
36x60	1	68.0	1P460-	\$459	\$496	\$498	\$1,295	\$1,087	\$1,797
36x72	1	81.0	1P472-	\$516	\$551	\$556	\$1,414	\$1,167	\$1,900
36x84	1	94.5	1P484-	\$626	\$685	\$664	\$1,596	\$1,278	\$2,039
36x96	1	108.0	1P496-	\$704	\$672	\$661	\$1,639	\$1,313	\$2,086
36x120	1	135.0	1P420-	\$818	\$781	\$777	\$1,877	\$2,567	\$4,153
42x60	1	79.0	1P560-	\$606	\$556	\$557	\$1,405	\$1,142	\$1,866
42x72	1	108.0	1P575-	\$677	\$625	\$632	\$1,546	\$1,233	\$1,983
42x84	1	110.0	1P584-	\$815	\$788	\$763	\$1,768	\$1,364	\$2,145
42x96	1	126.0	1P596-	\$819	\$788	\$771	\$1,831	\$1,418	\$2,216

Work Surface Material Options

Thermofoil



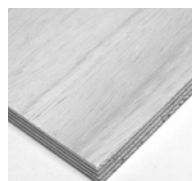
Same Price as T-Mold
Add \$180 list per order
for boat, racetrack &
telewedge tops

Marmoleum



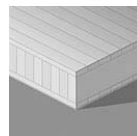
Add \$11 list
per square foot to
Laminate Pricing

Lightweight



Add \$14 list
per square foot

Bamboo



See page 95
for pricing

Cambria



Add \$165 list
per square foot to
3mm Laminate Pricing

Extras

Anti-Sag bar\$96

Custom cut out\$210 Custom stain..\$445

Flat plate\$25 Grommet.....\$60

Table locks ..\$116

Click-Catch Locks ...\$28 Metal insert...\$50

Tops Only

Rectangles



Size	Pieces	Weight	Model code	LAMINATE				VENEER	
				T-mold (-LTM)	Self Edge (-LSE)	3mm PVC (-LVE)	1-1/4"x 1-1/4" Wood edges (-LWE1)	Self edge (-VSE)	1-1/4" Wood edges (-VWE1)
48x60	1	90.0	1P660-	\$608	\$556	\$561	\$1,444	\$1,176	\$1,912
48x72	1	108.0	1P672-	\$679	\$625	\$632	\$1,583	\$1,275	\$2,022
48x84	1	126.0	1P684-	\$817	\$788	\$767	\$1,810	\$1,449	\$2,238
48x96	1	144.0	1P696-	\$845	\$788	\$775	\$1,878	\$1,507	\$2,314
48x108	1	162.0	1P608-	\$959	\$926	\$910	\$2,107	\$2,903	\$3,953
48x120	1	180.0	1P620-	\$963	\$926	\$918	\$2,174	\$2,918	\$4,030
48x144*	2	216.0	1P644-	\$1,307	\$1,338	\$1,311	\$3,207	\$3,457	\$4,679
48x168*	2	252.0	1P668-	\$1,583	\$1,639	\$1,580	\$3,683	\$3,728	\$5,042
48x192*	2	288.0	1P692-	\$1,590	\$1,639	\$1,596	\$3,822	\$3,847	\$5,197
48x216*	2	324.0	1P616-	\$1,867	\$1,915	\$1,820	\$4,278	\$4,913	\$6,484
48x240*	2	360.0	1P640-	\$1,874	\$1,940	\$1,882	\$4,412	\$5,030	\$6,637
48x288*	3	432.0	1P688-	\$2,249	\$2,391	\$2,328	\$5,428	\$5,687	\$7,458
60x84	1	157.5	1P784-	\$955	\$926	\$901	\$2,083	\$2,099	\$3,034
60x96	1	180.0	1P796-	\$959	\$926	\$910	\$2,165	\$2,218	\$3,183
60x108	1	202.5	1P708-	\$1,131	\$1,098	\$1,075	\$2,119	\$3,920	\$5,176
60x120	1	225.0	1P720-	\$1,134	\$1,098	\$1,084	\$2,524	\$3,935	\$5,264
60x144*	2	270.0	1P744-	\$1,512	\$1,545	\$1,508	\$3,620	\$4,514	\$5,965
60x168*	2	315.0	1P768-	\$1,855	\$1,915	\$1,840	\$4,201	\$4,848	\$6,400
60x192*	2	360.0	1P792-	\$1,863	\$1,915	\$1,857	\$4,361	\$4,986	\$6,581
60x216*	2	405.0	1P716-	\$2,206	\$2,259	\$2,189	\$4,920	\$6,511	\$8,419
60x240*	2	450.0	1P740-	\$2,214	\$2,259	\$2,205	\$5,080	\$6,763	\$8,955
60x288*	3	540.0	1P788-	\$2,656	\$2,780	\$2,714	\$6,222	\$7,391	\$9,564

*Indicates multiple piece top

Quarter Rounds



Size	Pieces	Weight	Model code	LAMINATE				VENEER	
				T-mold (-LTM)	Self Edge (-LSE)	3mm PVC (-LVE)	1-1/4"x 1-1/4" Wood edges (-LWE1)	Self edge (-VSE)	1-1/4" Wood edges (-VWE1)
18	1	10.0	1NR18-	\$168	\$263	\$257	\$538	\$345	\$621
24	1	14.0	1NR24-	\$198	\$309	\$302	\$633	\$406	\$730
30	1	25.0	1NR30-	\$238	\$348	\$344	\$715	\$562	\$920
36	1	31.5	1NR36-	\$295	\$411	\$401	\$831	\$703	\$1,103

Edge Options

Flat T-Mold (-T10) Bumper T-Mold (-T14) Bullnose T-Mold (-T35) Flat 3mm PVC (-T33) Laminate Self Edge (-T13) Veneer Self Edge (-V13)

Beveled Wood Edge 1-1/4" x 1-1/4" (-T63-BV) 2" x 1-1/4" (-T64-BV) 2" x 1-3/4" (-T65-BV)

Bullnose Wood Edge 1-1/4" x 1-1/4" (-T63-BN) 2" x 1-1/4" (-T64-BN) 2" x 1-3/4" (-T65-BN)

Knife Wood Edge 1-1/4" x 1-1/4" (-T63-KN) 2" x 1-1/4" (-T64-KN) 2" x 1-3/4" (-T65-KN)

Ogee Wood Edge 1-1/4" x 1-1/4" (-T63-OG) 2" x 1-1/4" (-T64-OG) 2" x 1-3/4" (-T65-OG)

Reeded Wood Edge 1-1/4" x 1-1/4" (-T63-RD) 2" x 1-1/4" (-T64-RD) 2" x 1-3/4" (-T65-RD)

Waterfall Wood Edge 1-1/4" x 1-1/4" (-T63-WF) 2" x 1-1/4" (-T64-WF) 2" x 1-3/4" (-T65-WF)

Extras

Anti-Sag bar\$96

Custom cut out\$210 Custom stain...\$445

Flat plate\$25 Grommet.....\$60

Table locks ..\$116

Click-Catch Locks ...\$28 Metal insert...\$50

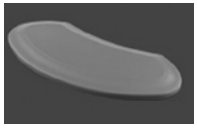

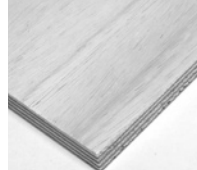
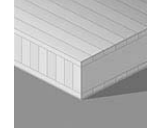



Racetrack and Telededge tops are available for the same price as boat tops. Replace "A" in model code with either "O" for racetrack or "S" for telededge.



Size	Pieces	Weight	Model code	LAMINATE				VENEER	
				T-mold (-LTM)	Self Edge (-LSE)	3mm PVC (-LVE)	1-1/4" Wood edges (-LWE1)	Self edge (-VSE)	1-1/4" Wood edges (-VWE1)
30x48	1	45.0	1A348-	\$430	\$665	\$640	\$1,381	\$1,016	\$1,696
30x54	1	50.5	1A354-	\$474	\$708	\$683	\$1,456	\$1,274	\$2,006
30x60	1	56.0	1A360-	\$476	\$708	\$688	\$1,482	\$1,295	\$2,035
30x72	1	68.0	1A372-	\$522	\$751	\$735	\$1,583	\$1,362	\$2,120
30x84	1	79.0	1A384-	\$610	\$862	\$822	\$1,732	\$1,452	\$2,234
30X96	1	90.0	1A396-	\$614	\$862	\$831	\$1,783	\$1,495	\$2,292
30x120	1	112.5	1A320-	\$705	\$949	\$926	\$1,983	\$2,503	\$3,309
36x42	1	47.0	1A442-	\$464	\$710	\$671	\$1,376	\$1,027	\$1,931
36x48	1	54.0	1A448-	\$477	\$710	\$686	\$1,467	\$1,077	\$1,770
36x54	1	60.8	1A454-	\$531	\$765	\$740	\$1,558	\$1,345	\$2,094
36x60	1	68.0	1A460-	\$533	\$765	\$744	\$1,587	\$1,370	\$2,124
36x72	1	81.0	1A472-	\$590	\$819	\$802	\$1,707	\$1,449	\$2,228
36x84	1	94.5	1A484-	\$700	\$953	\$910	\$1,889	\$1,560	\$2,366
36x96	1	108.0	1A496-	\$704	\$953	\$918	\$1,945	\$1,608	\$2,430
36x120	1	135.0	1A420-	\$818	\$1,062	\$1,034	\$2,184	\$2,863	\$4,370
42x60	1	79.0	1A560-	\$606	\$837	\$814	\$1,710	\$1,437	\$2,210
42x72	1	108.0	1A572-	\$677	\$906	\$886	\$1,854	\$1,529	\$2,327
42x84	1	110.0	1A584	\$815	\$1,462	\$1,020	\$2,076	\$1,660	\$2,489
42x96	1	126.0	1A596-	\$819	\$1,069	\$1,028	\$2,139	\$1,714	\$2,558
48x60	1	90.0	1A660-	\$608	\$837	\$818	\$1,751	\$1,472	\$2,256
48x72	1	108.0	1A672-	\$679	\$906	\$890	\$1,889	\$1,569	\$2,366
48x84	1	126.0	1A684-	\$817	\$1,069	\$1,024	\$2,117	\$1,745	\$2,580
48x96	1	144.0	1A696-	\$845	\$1,069	\$1,032	\$2,186	\$1,804	\$2,658
48x108	1	162.0	1A608-	\$959	\$1,207	\$1,167	\$2,413	\$3,156	\$4,170
48x120	1	180.0	1A620-	\$963	\$1,207	\$1,175	\$2,482	\$3,215	\$4,245
48x144*	2	216.0	1A644-	\$1,307	\$1,704	\$1,646	\$3,608	\$3,596	\$5,441
48x168*	2	252.0	1A668-	\$1,583	\$2,005	\$1,915	\$4,086	\$3,867	\$5,801
48x192*	2	288.0	1A692-	\$1,590	\$2,005	\$1,931	\$4,224	\$3,985	\$5,956
48x216*	2	324.0	1A616-	\$1,867	\$2,281	\$2,155	\$4,679	\$5,051	\$7,245
48x240*	2	360.0	1A640-	\$1,874	\$2,306	\$2,217	\$4,815	\$5,169	\$7,396
48x288*	3	432.0	1A688-	\$2,191	\$2,707	\$2,617	\$6,221	\$5,988	\$8,806
60x84	1	157.5	1A784-	\$955	\$1,207	\$1,158	\$2,390	\$2,395	\$3,379
60x96	1	180.0	1A796-	\$959	\$1,207	\$1,167	\$2,472	\$2,514	\$3,526
60x108	1	202.5	1A708-	\$1,131	\$1,380	\$1,333	\$2,751	\$4,161	\$5,393
60x120	1	225.0	1A720-	\$1,134	\$1,380	\$1,341	\$2,830	\$4,233	\$5,481
60x144*	2	270.0	1A744-	\$1,512	\$1,911	\$1,843	\$4,031	\$4,662	\$6,727
60x168*	2	315.0	1A768-	\$1,855	\$2,281	\$2,175	\$4,612	\$4,986	\$7,160
60x192*	2	360.0	1A792-	\$1,863	\$2,281	\$2,192	\$4,774	\$5,125	\$7,340
60x216*	2	405.0	1A716-	\$2,206	\$2,626	\$2,524	\$5,323	\$6,649	\$9,178
60x240*	2	450.0	1A740-	\$2,214	\$2,626	\$2,540	\$5,483	\$6,798	\$9,357
60x288*	3	540.0	1A788-	\$2,598	\$3,096	\$3,003	\$7,016	\$7,691	\$10,912

*Indicates multiple piece top

Work Surface Material Options				
Thermofoil  Same Price as T-Mold Add \$180 list per order for boat, racetrack & telededge tops	Marmoleum  Add \$11 list per square foot to Laminate Pricing	Lightweight  Add \$14 list per square foot	Bamboo  See page 95 for pricing	Cambria  Add \$165 list per square foot to 3mm Laminate Pricing

Extras	
Anti-Sag bar	\$96
Custom cut out	\$210
Custom stain.....	\$445
Flat plate	\$25
Grommet.....	\$60
Table locks ..	\$116
Click-Catch Locks ...	\$28
Metal insert...	\$50

Tops Only

Squares

Tops and Bases



Size	Pieces	Weight	Model code	LAMINATE				VENEER	
				T-mold (-LTM)	Self Edge (-LSE)	3mm PVC (-LVE)	1-1/4"x	Self edge (-VSE)	1-1/4"x
							1-1/4"		Wood edges (-LWE1)
24X24	1	18.0	1R924-	\$212	\$259	\$248	\$806	\$369	\$914
30X30	1	28.0	1R930-	\$287	\$332	\$323	\$939	\$635	\$1,239
36X36	1	41.0	1R936-	\$345	\$388	\$382	\$1,055	\$715	\$1,341
42x42	1	55.0	1R942-	\$459	\$487	\$481	\$1,230	\$810	\$1,462
48x48	1	72.0	1R948-	\$462	\$487	\$490	\$1,297	\$867	\$1,536
60X60	1	113.0	1R960-	\$696	\$642	\$648	\$1,624	\$1,491	\$2,293

Rounds



Size	Pieces	Weight	Model code	LAMINATE				VENEER	
				T-mold (-LTM)	Self Edge (-LSE)	3mm PVC (-LVE)	1-1/4"x	Self edge (-VSE)	1-1/4"x
							1-1/4"		Wood edges (-LWE1)
24	1	14.0	1Q924-	\$196	\$439	\$406	\$995	\$537	\$1,049
30	1	22.0	1Q930-	\$271	\$512	\$479	\$1,128	\$799	\$1,374
36	1	32.0	1Q936-	\$328	\$568	\$536	\$1,245	\$877	\$1,474
42	1	43.0	1Q942-	\$440	\$680	\$646	\$1,436	\$983	\$1,613
48	1	57.0	1Q948-	\$443	\$680	\$652	\$1,500	\$1,037	\$1,686
54	1	72.0	1Q954-	\$597	\$836	\$801	\$1,750	\$1,596	\$2,357
60	1	88.0	1Q960-	\$600	\$836	\$807	\$1,828	\$1,659	\$2,445
72"	1	127.0	1Q972-	\$921	\$1,074	\$1,114	\$2,374	\$2,330	\$4,083

*Indicates laminate will have seam

Trapezoids and Half Rounds



Size	Pieces	Weight	Model code	LAMINATE				VENEER	
				T-mold (-LTM)	Self Edge (-LSE)	3mm PVC (-LVE)	1-1/4"x	Self edge (-VSE)	1-1/4"x
							1-1/4"		Wood edges (-LWE1)
24x60	1	32.0	1U260-	\$432	\$469	\$465	\$1,182	\$1,084	\$1,790
24x72	1	40.0	1U272-	\$470	\$503	\$504	\$1,267	\$1,140	\$1,863
30x60	1	36.0	1U460-	\$518	\$555	\$548	\$1,323	\$1,644	\$2,465
30x72	1	46.0	1U472-	\$545	\$555	\$556	\$1,363	\$1,741	\$2,531
24x48	1	28.0	1J248-	\$395	\$618	\$604	\$1,265	\$812	\$1,460
30x60	1	44.0	1J360-	\$476	\$696	\$688	\$1,429	\$1,124	\$1,840
36x72	1	63.0	1J472-	\$590	\$822	\$802	\$1,662	\$1,405	\$2,205

Video half round tops are available for the same price as half round tops. Replace "J" in model code with "V" for video half rounds.



Edge Options

Flat T-Mold (-T10)	Bumper T-Mold (-T14)	Bullnose T-Mold (-T35)	Flat 3mm PVC (-T33)	Laminate Self Edge (-T13)	Veneer Self Edge (-V13)	Square Wood Edge 1-1/4" x 1-1/4" (-T63-SQ) 2" x 1-1/4" (-T64-SQ) 2" x 1-3/4" (-T65-SQ)
Beveled Wood Edge 1-1/4" x 1-1/4" (-T63-BV) 2" x 1-1/4" (-T64-BV) 2" x 1-3/4" (-T65-BV)	Bullnose Wood Edge 1-1/4" x 1-1/4" (-T63-BN) 2" x 1-1/4" (-T64-BN) 2" x 1-3/4" (-T65-BN)	Knife Wood Edge 1-1/4" x 1-1/4" (-T63-KN) 2" x 1-1/4" (-T64-KN) 2" x 1-3/4" (-T65-KN)	Ogee Wood Edge 1-1/4" x 1-1/4" (-T63-OG) 2" x 1-1/4" (-T64-OG) 2" x 1-3/4" (-T65-OG)	Reeded Wood Edge 1-1/4" x 1-1/4" (-T63-RD) 2" x 1-1/4" (-T64-RD) 2" x 1-3/4" (-T65-RD)	Waterfall Wood Edge 1-1/4" x 1-1/4" (-T63-WF) 2" x 1-1/4" (-T64-WF) 2" x 1-3/4" (-T65-WF)	

Extras

- Anti-Sag bar\$96
- Custom cut out\$210 Custom stain..\$445
- Flat plate\$25 Grommet.....\$60
- Table locks ..\$116
- Click-Catch Locks ...\$28 Metal insert...\$50



BAMBOO						
Size	Pieces	Model code	Amber Edge	Havana &		
			Grain/Flat Grain (-BA)	Sahara (-BH/S)	Neopolitan (-BN)	
18x24	1	1P124-	\$570	\$625	\$645	
18x36	1	1P136-	\$793	\$766	\$797	
18x48	1	1P148-	\$800	\$1,178	\$1,240	
18x54	1	1P154-	\$1,239	\$1,185	\$1,247	
18x60	1	1P160-	\$1,248	\$1,194	\$1,256	
18x72	1	1P172-	\$1,262	\$1,208	\$1,270	
18x84	1	1P184-	\$1,277	\$2,033	\$1,576	
18x96	1	1P196-	\$1,280	\$2,036	\$1,578	
24x30	1	1P230-	\$790	\$764	\$794	
24x36	1	1P236-	\$800	\$774	\$804	
24x42	1	1P242-	\$810	\$1,188	\$1,250	
24x48	1	1P248-	\$820	\$1,198	\$1,260	
24x54	1	1P254-	\$1,262	\$1,208	\$1,270	
24x60	1	1P260-	\$1,272	\$1,218	\$1,280	
24x72	1	1P272-	\$1,293	\$1,239	\$1,301	
24x84	1	1P284-	\$1,313	\$2,068	\$2,192	
24x96	1	1P296-	\$1,320	\$2,075	\$2,199	
30x36	1	1P336-	\$1,248	\$1,194	\$1,255	
30x42	1	1P342-	\$1,260	\$2,016	\$2,140	
30x48	1	1P348-	\$1,272	\$2,027	\$2,150	
30x54	1	1P354-	\$2,147	\$2,040	\$2,163	
30x60	1	1P360-	\$2,160	\$2,053	\$2,176	
30x72	1	1P372-	\$2,186	\$2,078	\$2,202	
30x84	1	1P384-	\$2,211	\$3,722	\$3,970	
30x96	1	1P396-	\$2,223	\$3,734	\$3,981	
36x42	1	1P442-	\$1,277	\$2,033	\$2,156	
36x48	1	1P448-	\$1,293	\$2,049	\$2,172	
36x54	1	1P454-	\$2,170	\$2,063	\$2,186	
36x60	1	1P460-	\$2,186	\$2,079	\$2,202	
36x72	1	1P472-	\$2,216	\$2,109	\$2,261	
36x84	1	1P484-	\$2,245	\$3,757	\$4,003	
36x96	1	1P496-	\$2,269	\$3,780	\$4,027	
42x54	1	1P554-	\$2,191	\$2,084	\$2,207	
42x60	1	1P560-	\$2,199	\$2,091	\$2,214	
42x72	1	1P572-	\$2,234	\$2,127	\$2,250	
42x84	1	1P584-	\$2,269	\$2,700	\$4,026	
42x96	1	1P596-	\$2,304	\$2,736	\$4,061	
48x60	1	1P660-	\$2,223	\$2,115	\$2,239	
48x72	1	1P672-	\$2,264	\$2,156	\$2,280	
48x84	1	1P684-	\$2,303	\$3,815	\$4,061	
48x96	1	1P696-	\$2,343	\$3,854	\$4,101	

Work Surface Material Options

Thermofoil



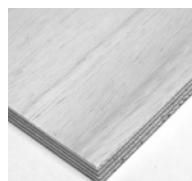
Same Price as T-Mold
Add \$180 list per order
for boat, racetrack &
telewedge tops

Marmoleum



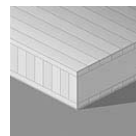
Add \$11 list
per square foot to
Laminate Pricing

Lightweight



Add \$14 list
per square foot

Bamboo



See page 95
for pricing

Cambria



Add \$165 list
per square foot to
3mm Laminate Pricing

Extras

Anti-Sag bar\$96

Custom cut out\$210 Custom stain..\$445

Flat plate\$25 Grommet.....\$60

Table locks ..\$116

Click-Catch Locks ...\$28 Metal insert...\$50

Tops Only

Bamboo, Boat Shape



Racetrack and Telededge tops are available for the same price as boat tops. Replace "A" in model code with either "O" for racetrack or "S" for telededge.



BAMBOO					
Size	Pieces	Model code	Amber Edge	Havana &	
			Grain/Flat Grain (-BA)	Sahara (-BH/S)	Neopolitan (-BN)
30x60	1	1A360-	\$2,262	\$2,155	\$2,278
30x72	1	1A372-	\$2,288	\$2,180	\$2,304
30x84	1	1A384-	\$2,312	\$3,823	\$4,070
30x96	1	1A396-	\$2,325	\$3,836	\$4,083
36x42	1	1A442-	\$2,243	\$2,135	\$2,258
36x48	1	1A448-	\$2,257	\$2,149	\$2,273
36x54	1	1A454-	\$2,272	\$2,165	\$2,288
36x60	1	1A460-	\$2,288	\$2,180	\$2,304
36x72	1	1A472-	\$2,318	\$2,210	\$2,334
36x84	1	1A484-	\$2,347	\$3,859	\$4,105
36x96	1	1A496-	\$2,366	\$3,877	\$4,124
42x54	1	1A554-	\$2,277	\$2,169	\$2,292
42x60	1	1A560-	\$2,300	\$2,193	\$2,317
42x72	1	1A572-	\$2,335	\$2,227	\$2,351
42x84	1	1A584-	\$2,370	\$3,881	\$4,128
42x96	1	1A596-	\$2,406	\$3,916	\$4,164
48x60	1	1A660-	\$2,325	\$2,217	\$2,341
48x72	1	1A672-	\$2,366	\$2,259	\$2,382
48x84	1	1A684-	\$2,421	\$3,932	\$4,179
48x96	1	1A696-	\$2,445	\$3,957	\$4,203

Squares



BAMBOO					
Size	Pieces	Model code	Amber Edge	Havana &	
			Grain/Flat Grain (-BA)	Sahara (-BH/S)	Neopolitan (-BN)
24X24	1	1R924-	\$536	\$590	\$611
30X30	1	1R930-	\$1,206	\$1,153	\$1,214
36X36	1	1R936-	\$1,235	\$1,180	\$1,243
42X42	1	1R942-	\$1,267	\$2,023	\$2,146
48X48	1	1R948-	\$1,304	\$2,060	\$2,183

Rounds



BAMBOO					
Size	Pieces	Model code	Amber Edge	Havana &	
			Grain/Flat Grain (-BA)	Sahara (-BH/S)	Neopolitan (-BN)
24	1	1Q924-	\$565	\$619	\$639
30	1	1Q930-	\$1,235	\$1,181	\$1,243
36	1	1Q936-	\$1,262	\$1,208	\$1,270
42	1	1Q942-	\$1,283	\$2,039	\$2,162
48	1	1Q948-	\$1,320	\$2,075	\$2,199



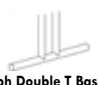






Edge Options

Flat T-Mold (-T10)	Bumper T-Mold (-T14)	Bullnose T-Mold (-T35)	Flat 3mm PVC (-T33)	Laminate Self Edge (-T13)	Veneer Self Edge (-V13)	Square Wood Edge (-T63-SQ)
Beveled Wood Edge (-T63-BV)	Bullnose Wood Edge (-T63-BN)	Knife Wood Edge (-T63-KN)	Ogee Wood Edge (-T63-OG)	Reeded Wood Edge (-T63-RD)	Waterfall Wood Edge (-T63-WF)	
1-1/4" x 1-1/4" (-T63-BV) 2" x 1-3/4" (-T64-BV) 2" x 1-3/4" (-T65-BV)	1-1/4" x 1-1/4" (-T63-BN) 2" x 1-3/4" (-T64-BN) 2" x 1-3/4" (-T65-BN)	1-1/4" x 1-1/4" (-T63-KN) 2" x 1-3/4" (-T64-KN) 2" x 1-3/4" (-T65-KN)	1-1/4" x 1-1/4" (-T63-OG) 2" x 1-3/4" (-T64-OG) 2" x 1-3/4" (-T65-OG)	1-1/4" x 1-1/4" (-T63-RD) 2" x 1-3/4" (-T64-RD) 2" x 1-3/4" (-T65-RD)	1-1/4" x 1-1/4" (-T63-WF) 2" x 1-3/4" (-T64-WF) 2" x 1-3/4" (-T65-WF)	

Extras

- Anti-Sag bar\$96
- Custom cut out\$210 Custom stain...\$445
- Flat plate\$25 Grommet.....\$60
- Table locks ..\$116
- Click-Catch Locks ...\$28 Metal insert...\$50

Add 3% List to all prices

									Up Charges					
Size	Weight	Recommended Table Depth	Model code	Standard Finish	PC 1	PC2	Chrome	With Casters	Taller Height	Shorter Height	Concealed Wheel	Spring Clip	C-base	
 Havana Post Leg	2"	6	all sizes	1HHP	\$50	\$70	\$100	\$90	\$18	\$57	\$50	NA	\$122	NA
	3"	8	all sizes	1HHQ	\$74	\$94	\$124	\$171	\$64	\$93	\$68	NA	NA	NA
	4"	9	all sizes	1HHR	\$91	\$101	\$141	\$188	\$64	\$93	\$68	NA	NA	NA
	6"	19	all sizes	1HHW	\$120	\$140	\$207	\$285	NA	\$162	\$105	NA	NA	NA
 Triumph Single T Base	16"	10	18"-22"	1TKA	\$138	\$178	\$225	\$256	\$36	\$100	\$75	\$125	\$51	\$26
	22"	11	23"-30"	1TKB	\$141	\$181	\$228	\$259	\$36	\$100	\$75	\$125	\$51	\$26
	26"	12	30"-36"	1TKC	\$145	\$185	\$232	\$263	\$36	\$100	\$75	\$125	\$51	\$26
	32"	16	36"-42"	1TKD	\$222	\$262	\$309	\$340	\$36	\$100	\$75	\$125	\$51	NA
 Triumph Double T Base	36"	22	37"-48"	1TIH	\$227	\$290	\$323	\$405	\$125	\$201	\$161	\$201	NA	NA
 Triumph Single T Folding Base	16"	10	18"-22"	1TLA	\$238	\$278	\$322	\$332	\$67	\$99	\$75	\$125	\$151	\$36
	22"	11	23"-30"	1TLB	\$243	\$283	\$327	\$337	\$67	\$99	\$75	\$125	\$151	\$36
	26"	12	30"-36"	1TLC	\$256	\$296	\$340	\$350	\$67	\$99	\$75	\$125	\$151	\$36
 Triumph Double T Folding Base	36"	22	37"-48"	1TLH	\$537	\$537	\$537	\$630	\$125	\$115	\$86	NA	NA	NA
	16"	10	18"-22"	1TOA	\$362	\$362	\$411	\$456	-\$25	\$99	\$75	\$125	\$110	NA
	22"	11	23"-30"	1TOB	\$365	\$365	\$414	\$459	-\$25	\$99	\$75	\$125	\$110	NA
	26"	12	30"-36"	1TOC	\$368	\$368	\$417	\$462	-\$25	\$99	\$75	\$125	\$110	NA
 Triumph Single T Nesting Base	22"	23	24" r/sq	1TRA	\$197	\$250	\$292	\$382	\$105	\$50/\$175	\$125	NA	\$249	NA
	26"	24	30" r/sq, 36"r	1TRB	\$208	\$261	\$303	\$393	\$105	\$50/\$175	\$125	NA	\$249	NA
	32"	28	36" sq, 42" r/sq	1TRC	\$250	\$303	\$345	\$488	\$105	\$50/\$175	\$125	NA	\$249	NA
	38"	30	48"-60" r/sq	1TRD	\$292	\$345	\$387	\$477	\$105	\$50/\$175	\$125	NA	\$249	NA
 Triumph Single X Base	38"	37	48"-60" r/s	1TFI	\$607	\$607	Call for pricing	Call for pricing	\$105	\$175	\$125	NA	\$249	NA
	48"	39	60"-84"r, 60"-72" s	1TFJ	\$676	\$676	Call for pricing	Call for pricing	\$105	\$175	\$125	NA	\$249	NA
 Triumph Four Post X Base	22"	23	24" r/sq	1TSA	\$430	\$430	\$479	\$615	-\$45	\$65	\$44	NA	\$211	NA
	26"	24	30" r/sq, 36"r	1TSB	\$439	\$439	\$488	\$624	-\$45	\$65	\$44	NA	\$211	NA
	32"	28	36" sq, 42" r/sq	1TSC	\$529	\$529	\$578	\$714	-\$45	\$65	\$44	NA	\$211	NA
 Triumph Single X Flip Top Base	38"	30	48"-60" r/sq	1TSD	\$550	\$550	\$599	\$735	-\$45	\$65	\$44	NA	\$211	NA

Powder Coat Options

Standard:

- Black

PC1:

- Black Wrinkle
- Silver
- Inner Tone
- Inner Tone Light
- Light Neutral
- Medium Tone

PC2:

- Brown
- Graphite
- Champagne Metallic
- Graphite Metallic
- Silver Metallic
- White

Extras

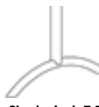







- Anti-Sag bar\$96
- Custom cut out\$210 Custom stain..\$445
- Flat plate\$25 Grommet.....\$60
- Table locks ..\$116
- Click-Catch Locks ...\$28 Metal insert...\$50

Bases Only

Metal Bases

Tops and Bases

Add 3% List to all prices

								Up Charges						
Size	Weight	Recommended Table Depth	Model code	Standard Finish	PC 1	PC 2	Chrome	With Casters	Taller Height	Shorter Height	Concealed Wheel	Spring Clip	C-base	
	16"	9	18"-22"	1CKA	\$148	\$188	\$233	\$308	\$38	\$99	\$75	NA	\$167	NA
	22"	10	23"-30"	1CKB	\$159	\$199	\$244	\$319	\$38	\$99	\$75	NA	\$167	NA
	26"	11	30"-36"	1CKC	\$165	\$205	\$250	\$325	\$38	\$99	\$75	NA	\$167	NA
Cambridge Single Arch T Base														
	36"	20	37"-48"	1CIH	\$303	\$303	\$352	\$488	\$39	\$115	\$86	NA	NA	NA
Cambridge Double Arch T Base														
	16"	9	18"-22"	1CLA	\$300	\$340	\$366	\$460	\$57	\$99	\$75	NA	\$151	NA
	22"	10	23"-30"	1CLB	\$311	\$351	\$377	\$471	\$57	\$99	\$75	NA	\$151	NA
	26"	11	30"-36"	1CLC	\$323	\$363	\$389	\$483	\$57	\$99	\$75	NA	\$151	NA
Cambridge Folding Single Arch T Base														
	36"	20	37"-48"	1CLH	\$597	\$597	\$646	\$782	\$39	\$115	\$86	NA	NA	NA
Cambridge Folding Double Arch T Base														
	16"	9	18"-22"	1COA	\$370	\$370	\$410	\$488	-\$25	\$99	\$75	NA	\$110	NA
	22"	10	23"-30"	1COB	\$373	\$373	\$413	\$451	-\$25	\$99	\$75	NA	\$110	NA
	26"	11	30"-36"	1COC	\$376	\$376	\$416	\$454	-\$25	\$99	\$75	NA	\$110	NA
Cambridge Nesting Single Arch T Base														
	22"	21	24" r/sq	1CRA	\$272	\$325	NA	NA	NA	\$50/\$188	\$167	NA	NA	NA
	26"	23	30" r/sq, 36"r	1CRB	\$293	\$346	\$425	\$535	\$156	\$50/\$188	\$167	NA	NA	NA
	32"	27	36" sq, 42" r/sq	1CRC	\$304	\$357	\$436	\$546	\$156	\$50/\$188	\$167	NA	NA	NA
	38"	28	48"-60" r/s	1CRD	\$378	\$431	\$510	\$620	\$156	\$50/\$188	\$167	NA	NA	NA
Cambridge Single Arch X Base														
	26"	23	30" r/sq, 36"r	1CSB	\$534	\$534	\$583	\$719	-\$45	\$65	\$44	NA	NA	NA
	32"	27	36" sq, 42" r/sq	1CSC	\$570	\$6570	\$619	\$755	-\$45	\$65	\$44	NA	NA	NA
	38"	28	48"-60" r/sq	1CSD	\$583	\$583	\$632	\$768	-\$45	\$65	\$44	NA	NA	NA
Cambridge Flip-Top Single Arch X Base														
	14"	15	18"-24"	1OHA	\$148	\$148	\$183	NA	\$38	\$99/\$114	\$76	NA	\$221	NA
	22"	18	27"-36"	1OHB	\$186	\$186	\$221	NA	\$38	\$99/\$114	\$76	NA	\$221	NA
	24"	19	27-36"	1OHC	\$239	\$239	\$274	NA	\$38	\$114	\$76	NA	\$221	NA
	30"	21	37"-48"	1OHD	\$566	\$566	\$601	NA	\$38	\$114	\$76	NA	\$221	NA
Onyx H Base														

Powder Coat Options

Standard:

- Black

PC1:

- Black Wrinkle
- Silver
- Inner Tone
- Inner Tone Light
- Light Neutral
- Medium Tone

PC2:

- Brown
- Graphite
- Champagne Metallic
- Graphite Metallic
- Silver Metallic

Extras

Anti-Sag bar\$96

Custom cut out\$210 Custom stain..\$445

Flat plate\$25 Grommet.....\$60

Table locks ..\$116

Click-Catch Locks ...\$28 Metal insert...\$50

Add 3% List to all prices

Up Charges



Parker Disc Base

*Black Wrinkle Standard Finish



Journey2 Y Base

*Silver Standard Finish



Seminar Base



Billboard Base

*Aluminum Finish Column,
Powder Coated steel foot

Size	Weight	Recommended Table Depth	Model code	Standard Finish				Up Charges						
				PC 1	PC 2	Chrome	With Casters	Taller Height	Shorter Height	Concealed Wheel	Spring Clip	C-base		
17"	28	up to 30" r/sq	1RHA	\$195	\$407	\$516	\$347	NA	\$99	\$50	NA	NA	NA	
22"	50	up to 42" r/sq	1RHB	\$248	\$460	\$569	\$400	NA	\$99	\$50	NA	NA	NA	
27"	71	up to 60" r	1RHC	\$462	\$674	\$783	\$614	NA	\$99	\$50	NA	NA	NA	
18"	11	18"-22"	1JLA	\$114	\$164	NA	NA	NA	NA	NA	NA	NA	NA	
24"	12	23"-30"	1JLB	\$118	\$168	NA	NA	NA	NA	NA	NA	NA	NA	
30"	16	30"-36"	1JLC-	\$121	\$171	NA	NA	NA	NA	NA	NA	NA	NA	
*Prices are for bases only and do not include nesting mechanisms or stretcher bars														
											Wire Management Hole			
3"	11	30" maximum	1SKA	\$243	\$243	\$264	\$302	NA	\$72	\$32	\$25	NA	NA	
Size	Weight	Model code	Metal				Up Charges							
			Laminate Insert	Veneer Insert	Acrylic Insert	Laminate Insert	With Casters	Taller Height	Shorter Height	Concealed Wheel	Spring Clip	C-base		
24"	2	36" maximum	1BHA	\$600	\$600	Call for pricing	Call for pricing	\$75	NA	NA	NA	NA	NA	

Powder Coat Options

Standard:

- Black

PC1:






- Black Wrinkle
- Silver
- Inner Tone
- Inner Tone Light
- Light Neutral
- Medium Tone

PC2:

- Brown
- Graphite
- Champagne Metallic
- Graphite Metallic
- Silver Metallic
- White

Extras

- Anti-Sag bar\$96
- Custom cut out\$210 Custom stain..\$445
- Flat plate\$25 Grommet.....\$60
- Table locks ..\$116
- Click-Catch Locks ...\$28 Metal insert...\$50

Size	Recommended Table Depth	Model code			Up Charges			
			Laminate	Veneer	Wire Management Door	Plinth	Wood Accent	
	18" 48" and under	B63C-18	\$613	\$1,180	\$175	\$200	NA	
	24" Over 48" - 60"	B63C-24	\$752	\$1,078	\$175	\$200	NA	
	30" 72" wide or round	B63C-30	\$1,392	\$2,051	\$175	\$200	NA	
	24" 48" and under	B61S-24	\$490	\$1,378	\$175	NA	\$250	
	30" Over 48" - 60"	B61S-30	\$683	\$1,265	\$175	NA	\$250	
*Prices are for bases only and do not include stretcher bars								
	24" 36"R	B62-24	\$609	\$1,207	NA	NA	\$250	
	30" 42"R	B62-30	\$682	\$1,211	NA	NA	\$250	
	36" 48"R/36"SQ	B62-36	\$771	\$1,349	NA	NA	\$250	
	42" 54"R/42"SQ	B62-42	\$784	\$1,420	NA	NA	\$250	
	48" 60"R/48"SQ	B62-48	\$873	\$1,491	NA	NA	\$250	
	18" 48" and under	B63CB-18	\$730	\$1,215	\$175	\$80	NA	
	24" Over 48" - 60"	B63CB-24	\$810	\$1,809	\$175	\$80	NA	
	30" 72" wide or round	B63CB-30	\$1,200	\$1,699	\$175	\$80	NA	
	18" 48" and under	B63H-18	\$745	\$968	\$225	NA	NA	
	24" Over 48" - 60"	B63H-24	\$777	\$1,108	\$225	NA	NA	

Laminate and Veneer Options

Quickship Laminates:

- Bannister Oak
- Columbian Walnut
- Empire Mahogany
- Fusion Maple
- Versailles Anigre
- Wild Cherry
- Black
- Frosty White
- North Sea
- Shadow
- Canyon Zephyr

Standard Laminate Manufacturers

- Aborite
- Formica
- Nevamar
- Pionite
- WilsonArt

Standard Veneers

- Cherry
- Maple
- Oak

Standard Finishes

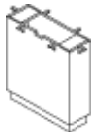
- Bannister Oak
- Columbian Walnut
- Empire Mahogany
- Fusion Maple
- Versailles Anigre
- Wild Cherry

Extras

Anti-Sag bar	\$96	Stretcher Bar.....	\$135
Custom cut out	\$210	Custom stain.....	\$445
Flat plate	\$25	Grommet.....	\$60
Table locks ..	\$116		
Click-Catch Locks ...	\$28	Metal insert...	\$50

Bases Only

Laminate and Veneer Bases



Rectangle Base



Palermo Base

*Available in Veneer Only

Size	Recommended		Laminate	Veneer	Up Charges		
	Table Depth	Model code			Wire Management	Wood Accent	Plinth
24"	48" and under	B63RE-24	\$1,217	\$1,027	\$225	\$80	NA
30"	Over 48" - 60"	B63RE-30	\$1,350	\$1,333	\$225	\$80	NA
Size	Recommended		Laminate Insert	Veneer Insert	Metal		
	Table Depth	Model code			Acylic Insert	Laminate Insert	Wood Accent
24"	48" and under	W67-CASE-24	\$2,106	\$2,244	\$2,646	\$2,372	NA
30"	Over 48" - 60"	W67-CASE-30	\$2,371	\$2,509	\$2,911	\$2,637	NA

Laminate and Veneer Options

Quickship Laminates:

- Bannister Oak
- Carbon EV
- Columbian Walnut
- Desert Zephyr
- Empire Mahogany
- Evening Tigris
- Fusion Maple
- Graphite Nebula
- Versailles Anigre
- Grey Nebula
- Wild Cherry
- Oiled Soapstone
- Black
- Pewter Brush
- Frosty White
- Tungsten EV
- North Sea
- Twilight Zephyr
- Shadow
- White Tigris
- Canyon Zephyr

Standard Laminate Manufacturers

- Aborite
- Formica
- Nevamar
- Pionite
- WilsonArt

Standard Veneers

- Cherry
- Maple
- Oak

Standard Finishes

- Bannister Oak
- Columbian Walnut
- Empire Mahogany
- Fusion Maple
- Versaille Anigre
- Wild Cherry

Extras

Anti-Sag bar\$96	Stretcher Bar.....\$135
Custom cut out\$210	Custom stain..\$445
Flat plate\$25	Grommet.....\$60
Table locks ..\$116	
Click-Catch Locks ...\$28	Metal insert...\$50