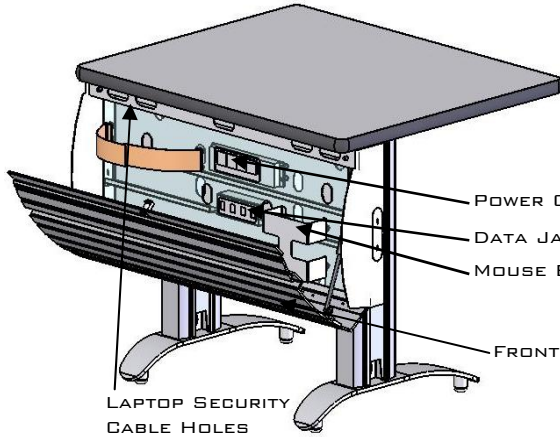
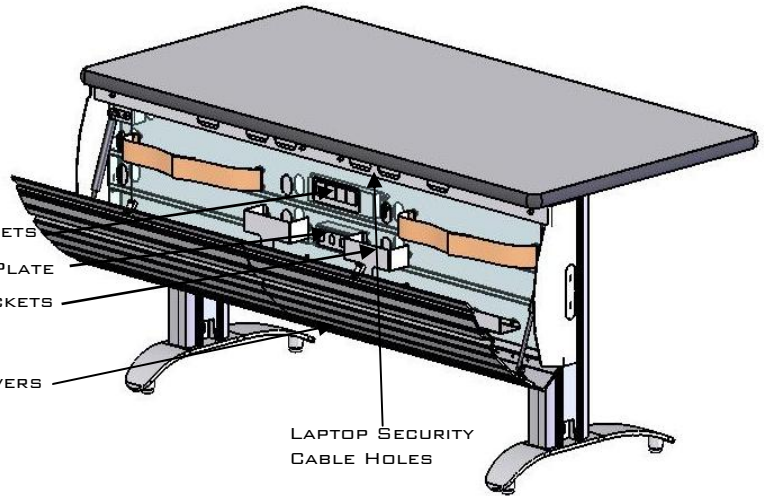


DOCKING STATION™ SPECIFICATIONS

ONE PERSON STATION



TWO PERSON STATION



OVERVIEW:

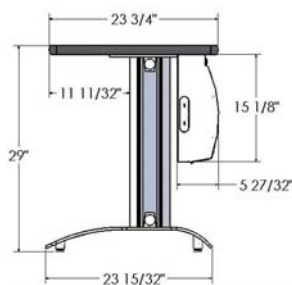
The Docking Station™ distributes power, data, and laptop storage to each user. It also offers a hardwire system for CPU's and monitors and duals as a built-in modesty panel. The Docking Station™ can only be mounted to the Billboard Table™ as shown above. Please see the Billboard Table spec guide for additional information on the table.

STATION CAPACITY:

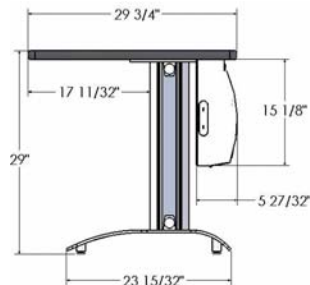
The station shall provide two power outlets and up to two data jacks per user. If the station is required to support fiber optics, a custom data plate shall be available upon request.

The station provides separate cable trays for power and data cables, meeting category six requirements. The station is equipped with pass thru knock-outs at each end allowing power and data cabling to be linked from one table to the next.

STATION DIMENSIONS



The station shall be 15.125" high by 5.843" deep with a minimum of eight mounting holes to attach to the underside of the table top.



The station must attach via metal to metal connections. 36" and 48" single person units have 8 holes, and 60" and 72" double person units have 12 holes.

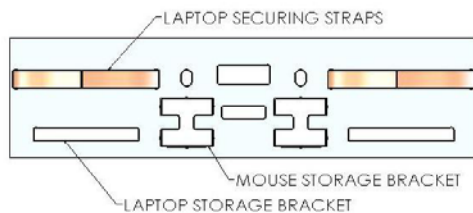
DOCKING STATION™ SPECIFICATIONS

STATION COVER:

Each Docking Station shall have a .1875" thick aluminum extruded cover that incorporates a handle and self latching cam locks (keyed as specified). Two doors per table shall be individually locked with separate keys or they may be specified as keyed alike. Two master keys shall be included. The door will be attached with a 1.5" continuous steel hinge with .5 x .25 knuckles and .125 pin. The door will be supported by a gas charged spring that will counterbalance the weight and allow for a smooth motion when opening and closing.

STATION INTERFACE:

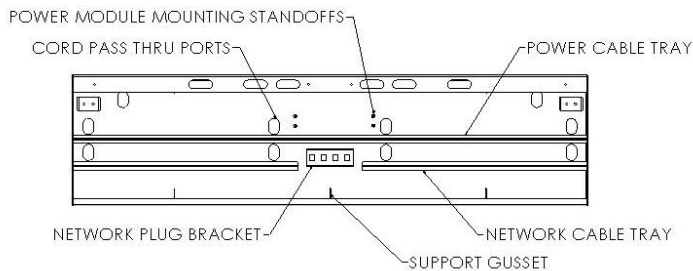
Each Docking Station shall be equipped with a quick access removable interface panel. This panel provides a concealed compartment between the power and data cabling and the laptop storage area. The panel is fabricated from .125" acrylic sheet and shall accommodate access openings to route standard cords from the back of the station to the powered outlets in the front of the station.



The interface panel is equipped with laptop seating brackets and 2" Velcro straps to secure the laptop to the panel. A cord management bin must be attached to contain the wires and the mouse in an orderly fashion. Security screws are required to secure the panel to the station to prevent theft. The storage area consists of 36" 1846.04 cu in (60" 3090.56 cu in) (72" 3712.82 cu in) of volume to allow for efficient air flow.

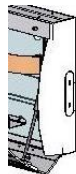
STATION HOUSING & INTERIOR:

The station housing shall be 14 gage powder coated steel. Stand-offs, cable trays, data brackets, and stress support gussets are welded in place creating a single part maintenance free assembly. The housing ends shall have pass-thru knock-outs to allow power and data cabling to connect from table to table. Knock-outs allow for future expansion as needed without requiring new station housings.



The station interior (behind the interface panel) shall be constructed of 16 gage powder coated steel. A septum will separate the power and data wires to prevent interference and meet category six requirements. The power shall be housed in the upper compartment of the station and the data shall be housed in the lower portion of the station.

HOUSING END CAPS:



The housing end caps shall be constructed of 16 gage powder coated steel with an eight inch oblong hole for power and data cords to pass from table to table. The end caps are equipped with pass thru knock-outs at each end allowing power and data cabling to pass from one unit to the next.

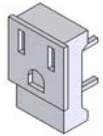
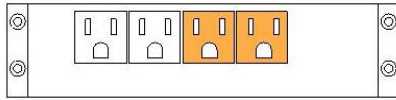
The end caps shall maintain separation between the power and data cords to meet category six requirements.

LAPTOP SECURITY CABLES:

The station shall offer optional security cables that tether the laptop computers to the steel station. Special holes are provided in the station for attaching these security cables.

SPECIFYING THE DOCKING STATION™

POWER OPTIONS:



Simplex

Hardwire or soft wire may be specified. Each user will be provided with two power outlets.

The hardwire power system provides up to four circuits. Two utility circuits share a neutral and a ground; two dedicated, shielded, isolated circuits share a neutral and a ground. All dedicated circuits (IG) are shielded against EMI from other circuits.

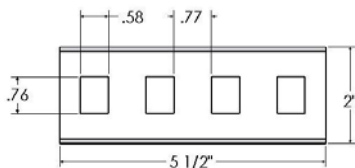
Interchangeability of simplexes permits any required circuit combination. Each simplex is clearly marked indicating the circuit in use. Simplex receptacles can be removed and replaced within the power module without disrupting power. The Simplex Removal Tool insures safety. Only authorized personnel can remove the simplex receptacles by using the simplex removal tool. Contact SurfaceTech to order removal tool.

ELECTRICAL CODES AND REGULATIONS:

This electrical system fully complies with National Electrical Code, UL and CSA requirements. National Electrical codes state that you should not link more than 5 hardwired tables.

Power in feed cords for New York requirements are available upon request. The Docking Station will comply with Chicago codes as well. Simply order the Docking Station without the power module. The electrician will install J-boxes inside the station to meet city code requirements.

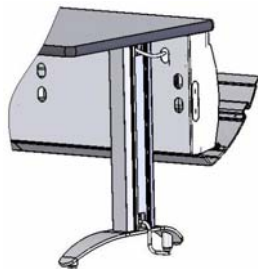
DATA OPTIONS:



A data plate is provided that will support four RJ45 jacks. The jack openings measure .58" W x .76"H. The data cable tray measures 1.25"W x 4.5"H.

Simon brand data jacks may be purchased separately from SurfaceTech™ or specify other types through your telecom professional.

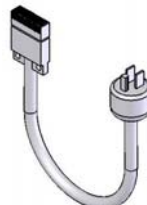
CORDS :



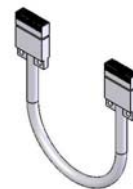
Power in feed cord will pass through the Billboard table base and out the mouse hole at the bottom of the base.



In Feed
Hardwire Cable



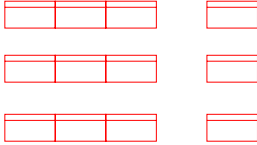
In Feed Soft
wire Cable



Interlinking
Cable

DOCKING STATION™ SPECIFICATIONS

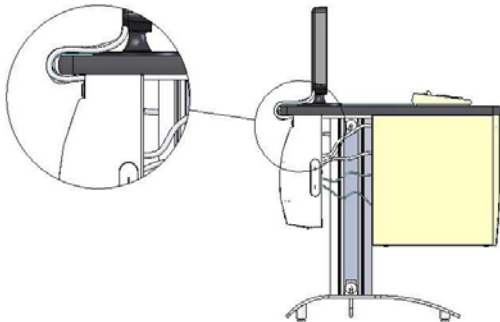
FLOOR PLANS:



First, you will need to know what the floor plan looks like to identify how many starter tables and how many adder tables will be required.

Although jumpers are included in the hardware package, you will need to know the sizes of each table for SurfaceTech to determine the correct jumper size needed.

HARDWARE OR SOFT WIRE?



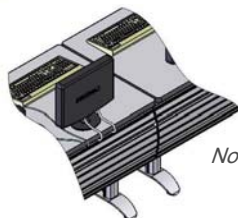
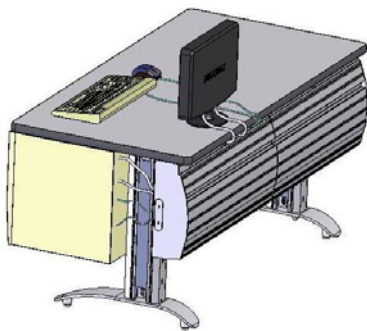
Next, you will need to specify hardware or soft wire power. Usually laptops will run efficiently on soft wire and CPUs with Monitors will require hardware but here is the correct way to determine:

- >A wall outlet or a floor outlet will support up to 16 amps of power.
- >The maximum would be 4 tables with 8 laptops if each laptop was labeled at 2 amps each.
- >16 Amps equals one circuit.
- >If the application requires more than 16 amps then hardware should be specified.
- >The hardware will supply up to 4 circuits / 64 amps.

Note: Most fire code regulations do not allow power strips to be daisy chained together. Daisy chaining is when you plug one power strip into another power strip.

SPECIFICATIONS:

In the floor plan above there are three rows of linked tables with an aisle and another table to the Right of the aisle. There is also an instructor table in the front of the room. If each table supported two 4 amp CPUs and two 2 amp monitors you could specify the following products for this application:



- >3 **DockingStation Starter Hardware** units– for the tables on the left that include hardware in feeds. (Model Code: **DSH**-size)
- >6 **DockingStation Add-on** units – for the middle and end tables linked to the hardware starter tables. (Model Code: **DSA**-size)
- >3 **DockingStation Starter Soft wire** units– for the three single tables on the right. (Model Code: **DSS**-size)
- >1 **DockingStation Starter Soft wire** unit – for the instructor table. (Model Code: **DSS**-size)

Note: 36" Docking Stations may be specified with 48" tables, but can not be linked together.

Note: Cords are secured when tables are side by side.

SPECIFYING THE DOCKING STATION™

NUMBER OF CIRCUITS:

Finally, you will need to determine the number of circuits to specify for your hardwire tables. In the floor plan to the right, we have three tables that were linked together with 12 amps required per table because we are using CPU's and monitors.

>12 amps x 3 tables = 36 amps necessary to power 6 computers and monitors per row.

>Each circuit provides 16 amps so 36 amps divided by 16 amps equals 2.25 circuits.

>Always round up to the next circuit which would total 3 circuits needed for the row.

>Specify 3 circuits for the hardwire portion of this order. (Add -3C to the end of the Hardwired Docking Station Model Code.) Soft wire stations are only available with one circuit.

CONFIRM THE BUILDING CAN SUPPORT MORE CIRCUITS:

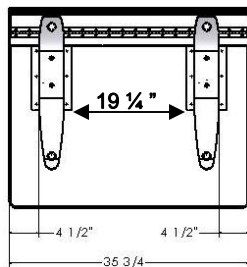
Note: Check with the architect or building manager to ensure that the space will support three circuits at the power entry location in the floor plan. An electrician will need to connect the power in feeds to the wall or to the floor. These tables can not be disconnected or rearranged with your electrical professional or unless a plug and play adaptor is specified on the power in feed. Contact SurfaceTech for more information on the plug and play adaptor.

CHECK YOUR ORDER:

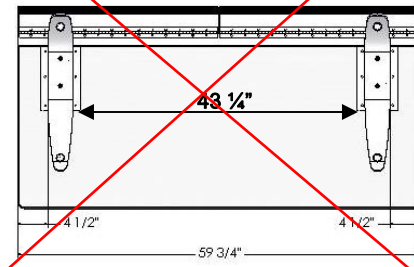
SurfaceTech will help you specify but it is your responsibility to check the order to confirm that you will be receiving the correct product for the application. SurfaceTech does not accept returns on power or data components.

KNEE CLEARANCE:

36" LONG
ONE PERSON STATION



60" LONG
TWO PERSON STATION



72" LONG
TWO PERSON STATION

